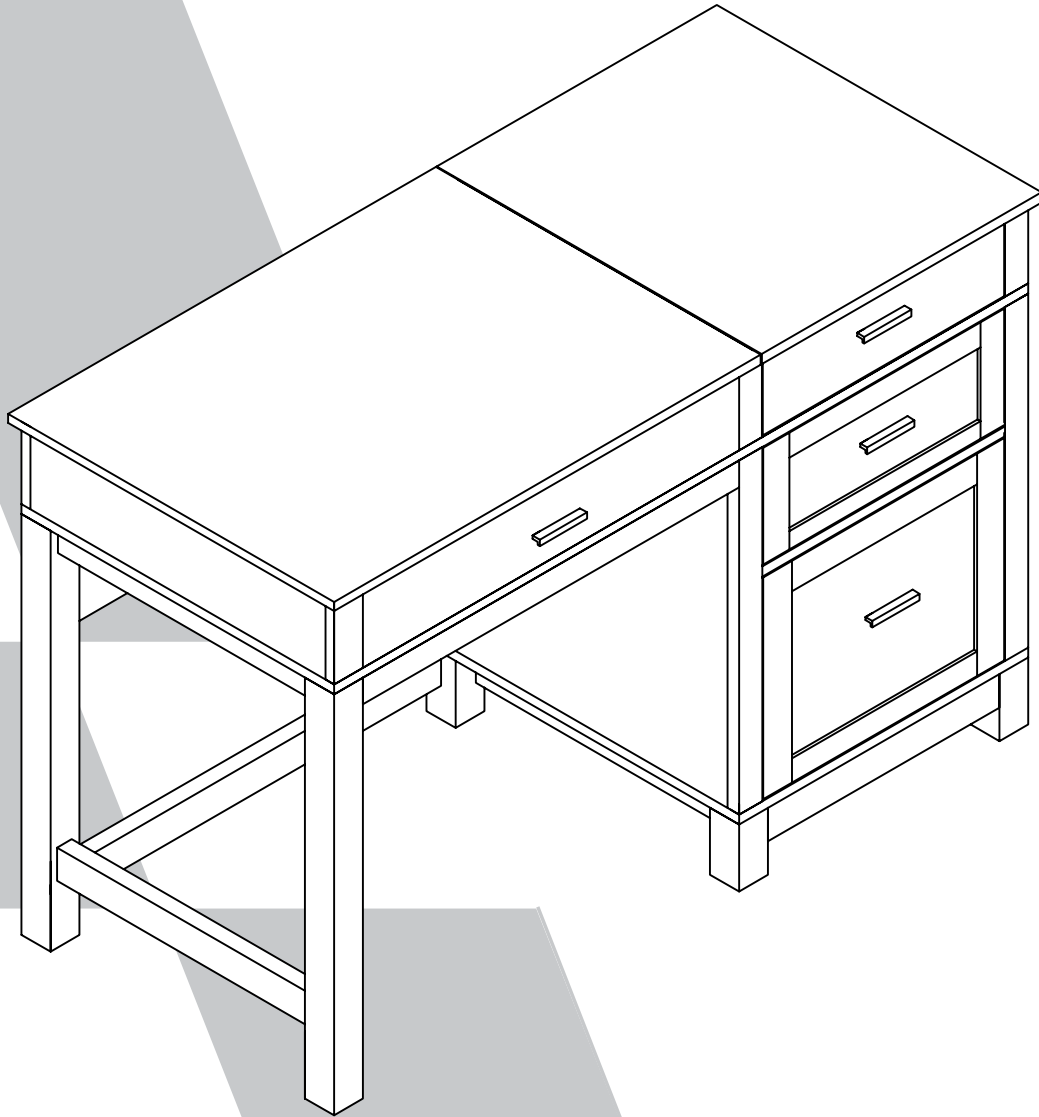


9257096COMUK LIFT TOP DESK

Date of Purchase: ____/____/____
Lot Number:

B349257096COMUK01



THIS INSTRUCTION BOOKLET CONTAINS **IMPORTANT** SAFETY INFORMATION. PLEASE READ AND KEEP FOR FUTURE REFERENCE.

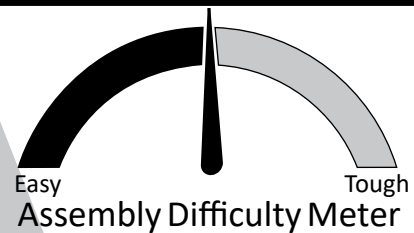
Do Not Return This Product!

Contact our customer service team for help first
Call: 01942 524100
email: cseurope@dorel.com



WARNING

- Unit can tip over causing severe injury or death.
- Anchor unit to stud in wall (if instructed to)
- Do not allow children climb on unit
- Put heavy items on lower shelves or drawers

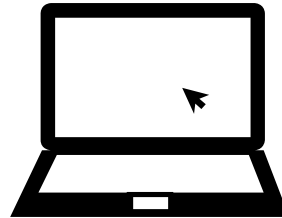


Easy Tough
Assembly Difficulty Meter

Contact Us!

Do NOT return this product!

Contact our friendly customer service team first for help



cseurope@dorel.com

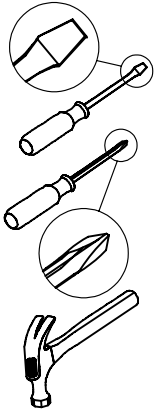
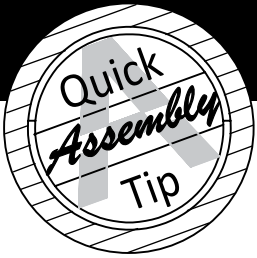
Helpful Hints

PEOPLE NEEDED FOR ASSEMBLY: **1-2**
ESTIMATED ASSEMBLY TIME: **1 HOUR**

- Open your item in the area you plan to keep it for less heavy lifting
- Identify, sort and count the parts before attempting assembly
- Compression dowels are tapped in with a hammer
- Slides are labeled with a R (right) and L (left) for proper placement
- Make sure to always face the point on the top of the Cam Lock towards the outer edge
- Use all the nails provided for the back panel and spread them out equally
- Back Panel must be used to make sure your unit is sturdy
- Do NOT use harsh chemicals or abrasive cleaners on this item
- Never push, pull, or drag your furniture



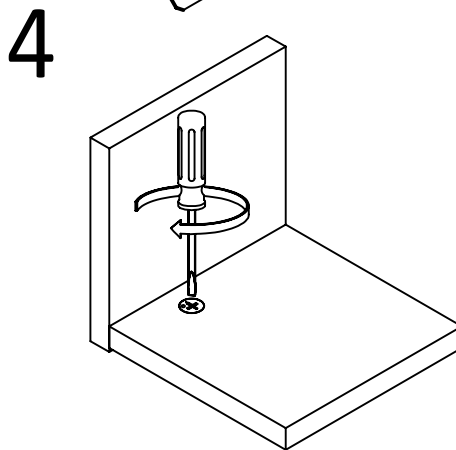
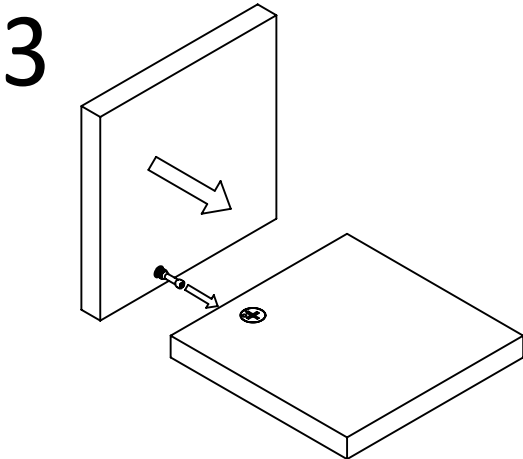
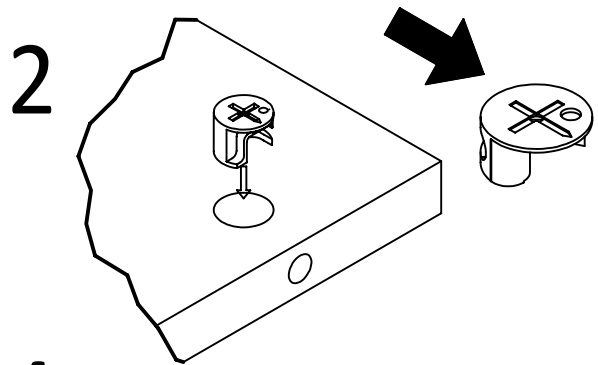
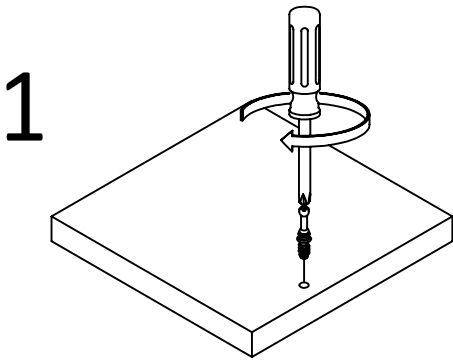
Before You Start



- ✓ Read through each step carefully and follow the proper order
- ✓ Separate and count all your parts and hardware
- ✓ Give yourself enough room for the assembly process
- ✓ Have the following tools: Flat Head Screwdriver, #2 Phillips Head Screwdriver and Hammer
- ✓ Caution: If using a power drill or power screwdriver for screwing, please be aware to slow down and stop when screw is tight. Failure to do so may result in stripping the screw.

Cam Lock Fastening System

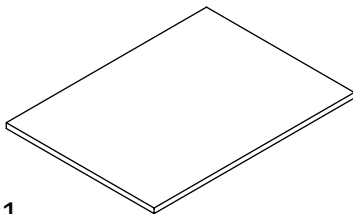
This Cam Lock Fastening System will be used throughout the assembly process.



Board Identification

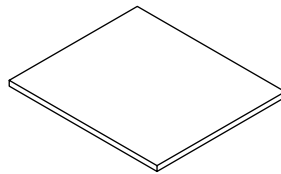
Not actual size

1



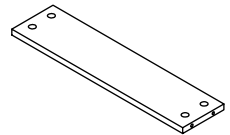
x1
T9257096010UD
LIFT TOP PANEL

2



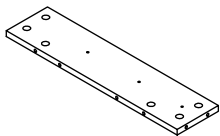
x1
T9257096020UD
RIGHT TOP PANEL

3



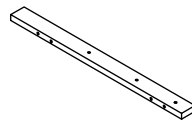
x1
T9257096030UD
LEFT SIDE PANEL

4



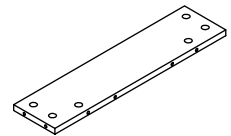
x1
T9257096040UD
MIDDLE PARTITION

5



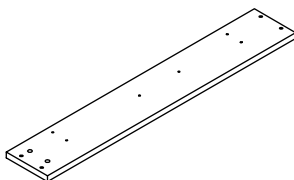
x1
T9257096050UD
SIDE SUPPORT PANEL

6



x1
T9257096060UD
RIGHT SIDE PANEL

7



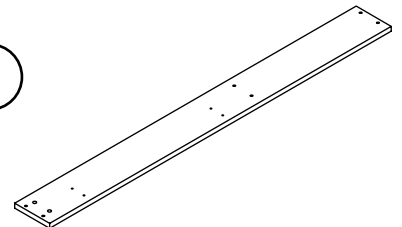
x1
T9257096070UD
FRONT PANEL

8



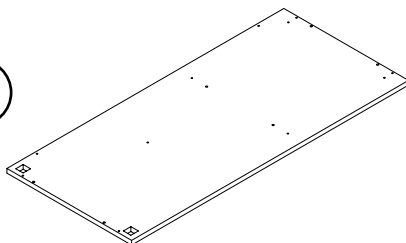
x1
T9257096080UD
RIGHT FRONT APRON

9



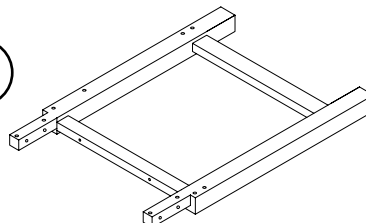
x1
T9257096090UD
UPPER BACK PANEL

10



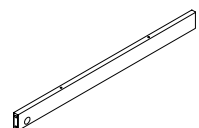
x1
T9257096100UD
UPPER SHELF

11



x1
T9257096110UD
LEFT FRAME

12

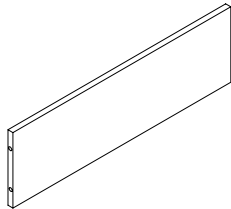


x1
T9257096120UD
LEFT FRONT APRON

Board Identification

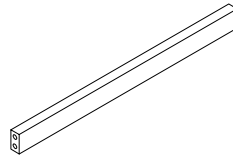
Not actual size

13



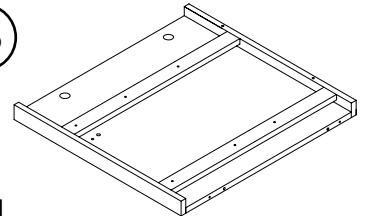
x1
T9257096130UD
LEFT BACK PANEL

14



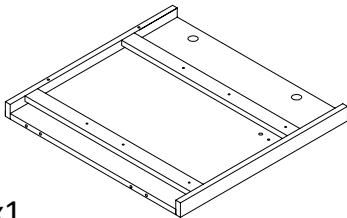
x1
T9257096140UD
BACK PANEL SUPPORT

15



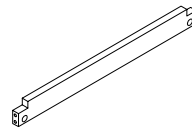
x1
T9257096150UD
MIDDLE FRAME

16



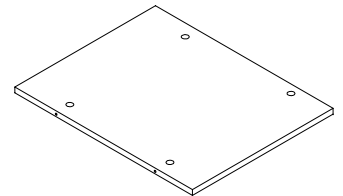
x1
T9257096160UD
RIGHT FRAME

17



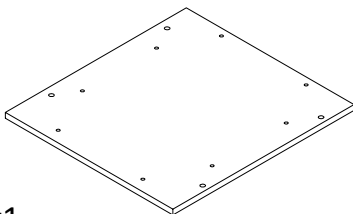
x1
T9257096170UD
MIDDLE RAIL

18



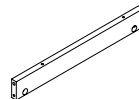
x1
T9257096180UD
RIGHT BACK PANEL

19



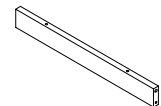
x1
T9257096190UD
LOWER SHELF

20



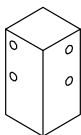
x2
T9257096200UD
LOWER SUPPORT PANEL

21



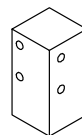
x2
T9257096210UD
LOWER SUPPORT PANEL

22



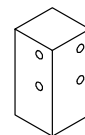
x1
T9257096220UD
FOOT

23



x2
T9257096230UD
FOOT

24

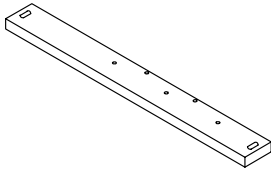


x1
T9257096240UD
FOOT

Board Identification

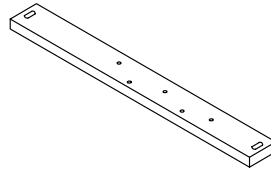
Not actual size

25



x1
T9257096250UD
LEFT SUPPORT PANEL

26



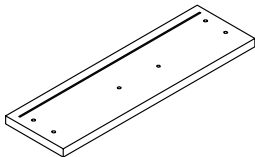
x1
T9257096260UD
RIGHT SUPPORT PANEL

27



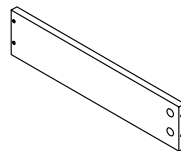
x4
T9257096270UD
SUPPORT WOOD BLOCK

28



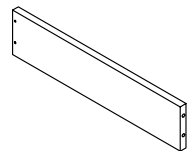
x1
T9257096280UD
UPPER DRAWER FRONT

29



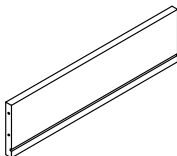
x1
T9257096290UD
UPPER DRAWER LEFT

30



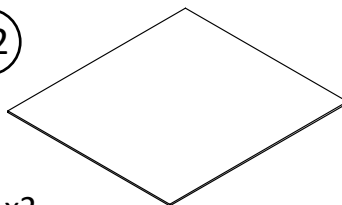
x1
T9257096300UD
UPPER DRAWER RIGHT

31



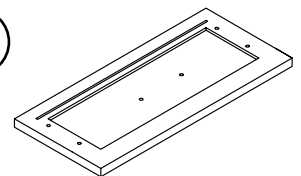
x1
T9257096310UD
UPPER DRAWER BACK

32



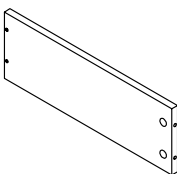
x2
T9257096320UD
DRAWER BOTTOM

33



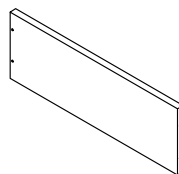
x1
T9257096330UD
MIDDLE DRAWER FRONT

34



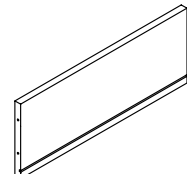
x1
T9257096340UD
MIDDLE DRAWER LEFT

35



x1
T9257096350UD
MIDDLE DRAWER RIGHT

36

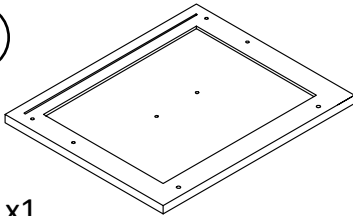


x1
T9257096360UD
MIDDLE DRAWER BACK

Board Identification

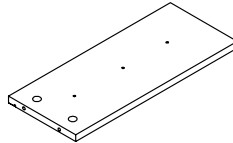
Not actual size

37



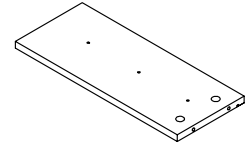
x1
T9257096370UD
LOWER DRAWER FRONT

38



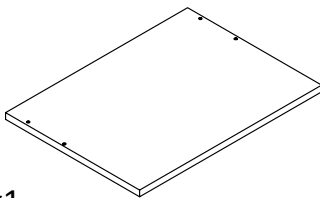
x1
T9257096380UD
LOWER DRAWER LEFT

39



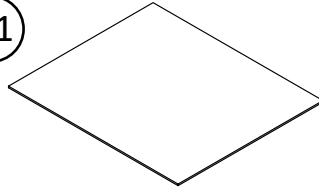
x1
T9257096390UD
LOWER DRAWER RIGHT

40



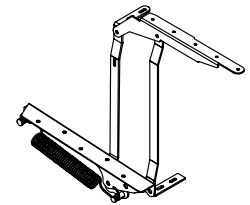
x1
T9257096400UD
LOWER DRAWER BACK

41



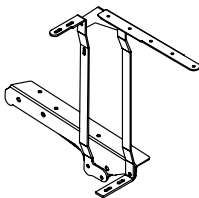
x1
T9257096410UD
LOWER DRAWER BOTTOM

42



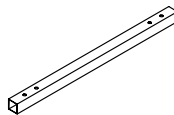
x1
T9257096420UD
LIFT MECHANISM

43



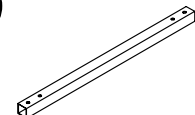
x1
T9257096430UD
LIFT MECHANISM

44



x1
T9257096440UD
SUPPORT TUBE

45



x1
T9257096450UD
SUPPORT TUBE

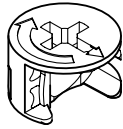
Hardware Bag Reference Number:
29257096COM0UD

Part List

Actual Size



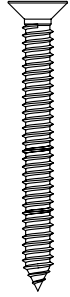
x54
TUD0001
Cam Bolt



x54
TUD0002
Cam Lock
15-12



x36
TUD0030
DOWEL 6 X 30



x39
TUD0009
CBS 4 x 38



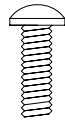
x8
TUD0022
CBS 4 X 30



x50
TUD0008
CBS 3.5 x 16



x6
TUD0007
CBS 3.5 x 12

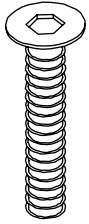


x8
TUD0011
PH M4 X 12

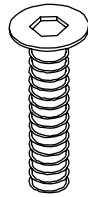
Hardware Bag Reference Number:
29257096COM0UD

Part List

Not Actual Size



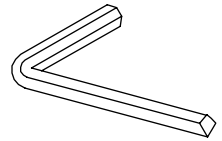
x12
TUD0047
JCBC SCREW
6 X 40



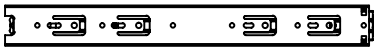
x8
TUD0052
JCBC SCREW
6 X 30



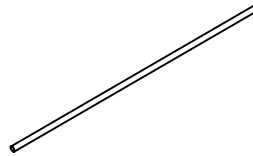
x4
TUD0048
BARREL NUT
1/4" X 12



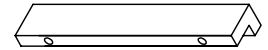
x1
TUD0026
ALLEN KEY
M4



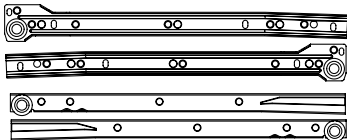
x1 SET
TUD0049
FULL EXT. SLIDE
350 MM



x2
TUD0050
METAL FILE HOLDER
Ø5 X 356



x4
TUD0012
HANDLE



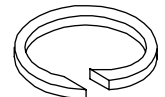
x2 SETS
TUD0017
DRAWER SLIDE
350 MM



x8
TUD0053
NUT 6 X 10



x1
TUD0054
WRENCH
10 MM

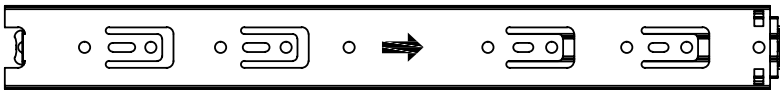


x8
TUD0041
SPRING WASHER

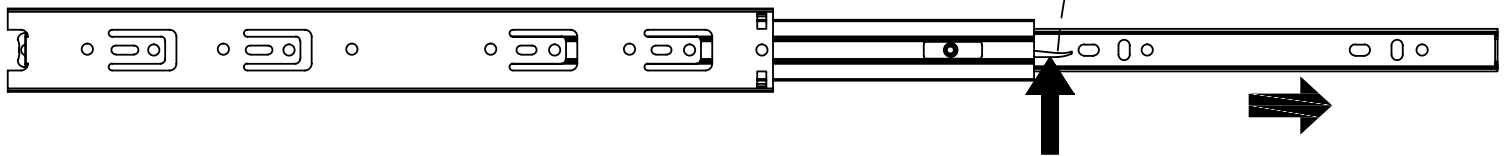
Step 1

How To SEPARATE BALL BEARING SLIDE.

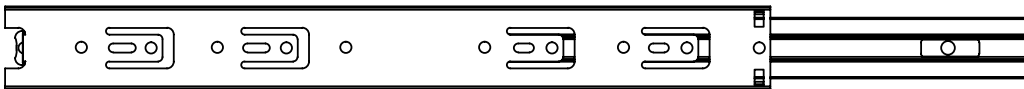
- 1) Pull toward arrow to open the slide until its stops and then flip it over.



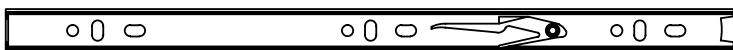
- 2) Push plastic lever down and pull apart.



Cabinet member

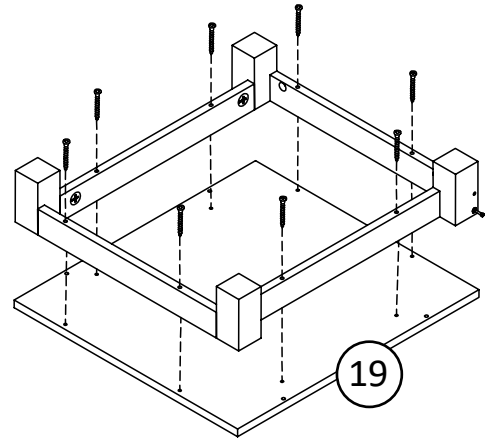
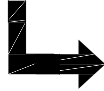
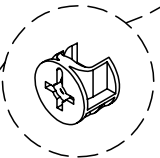
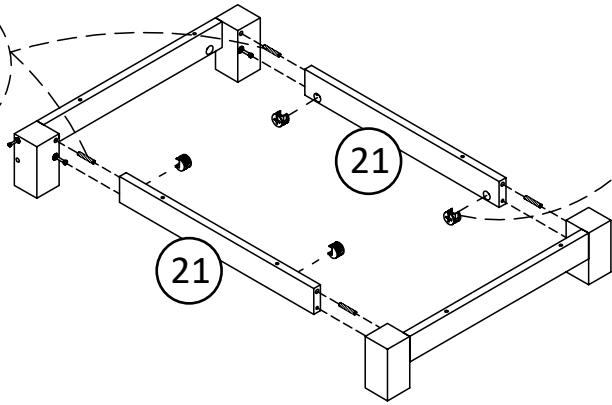
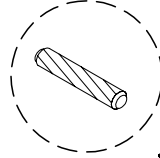
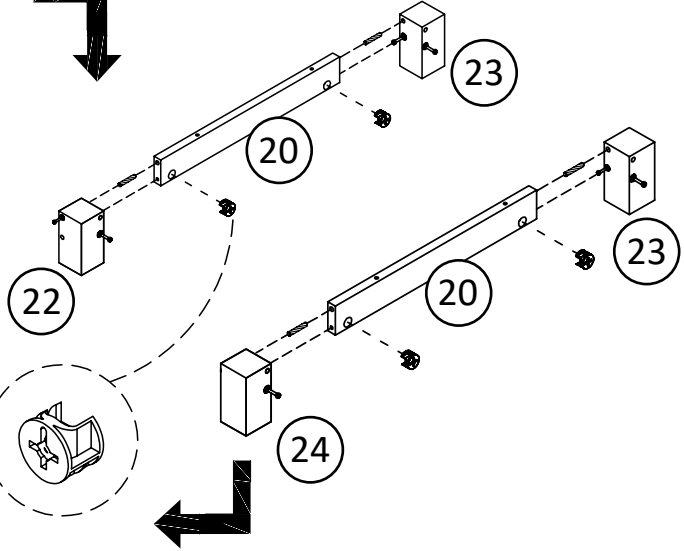
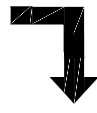
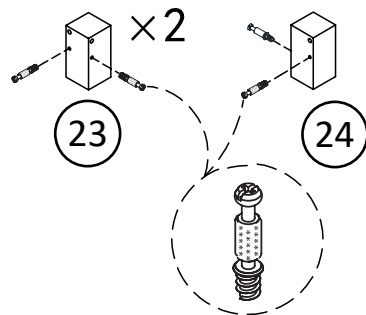
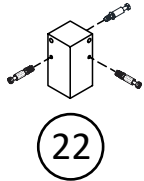
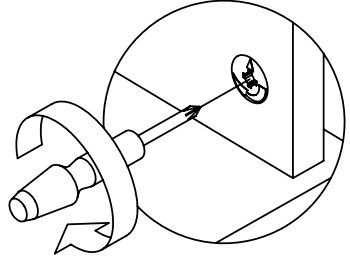
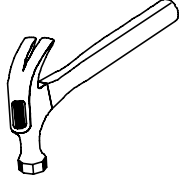
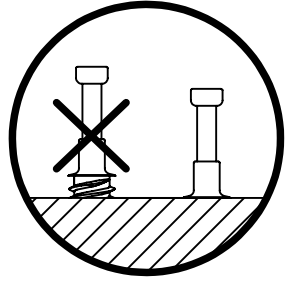
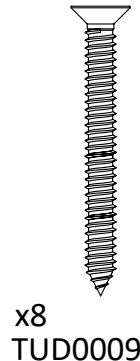
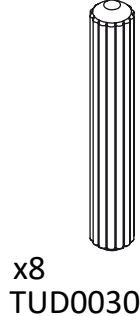
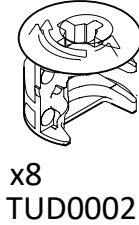
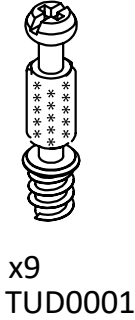
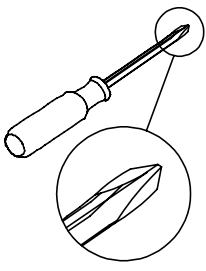


Drawer member



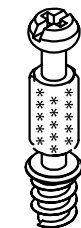
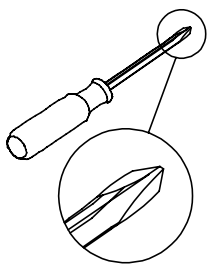
* raw edges are shaded

Step 2

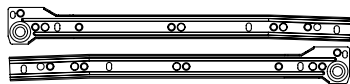


* raw edges are shaded

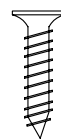
Step 3



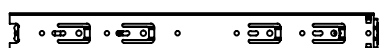
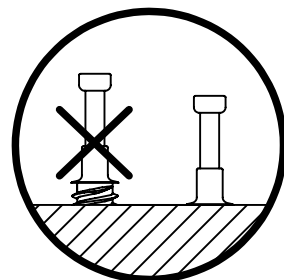
x6
TUD0001



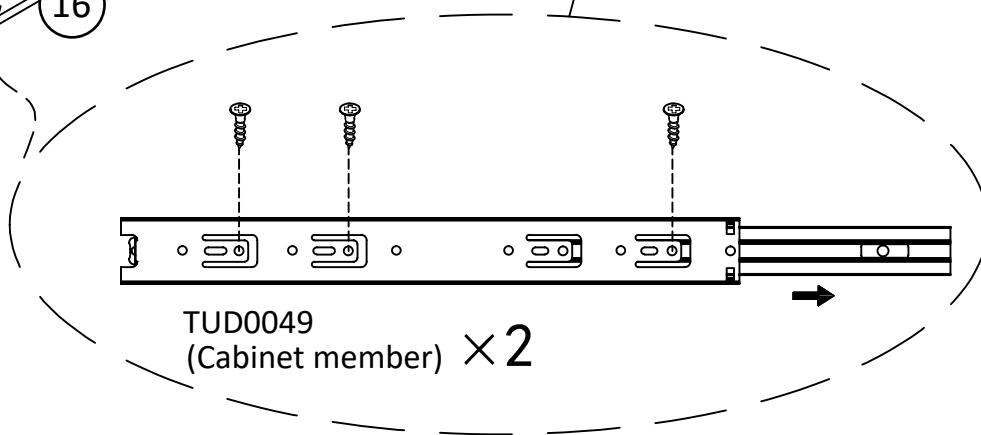
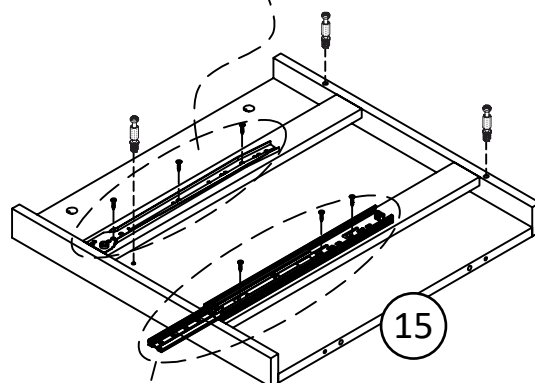
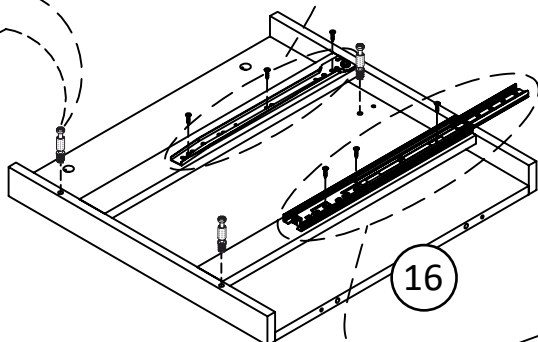
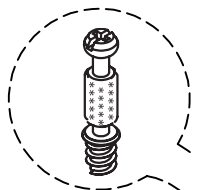
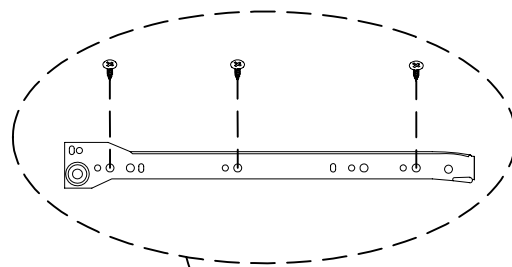
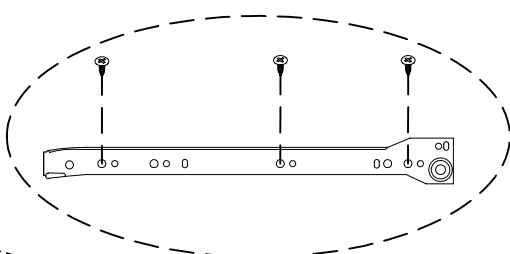
x1 SET
TUD0016



x12
TUD0008

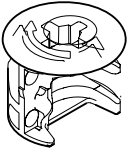
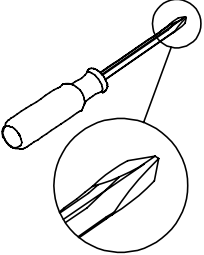


x1 SET
TUD0049



* raw edges are shaded

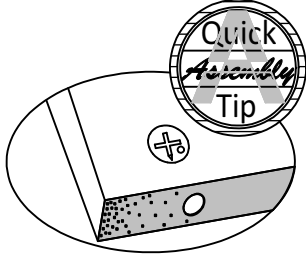
Step 4



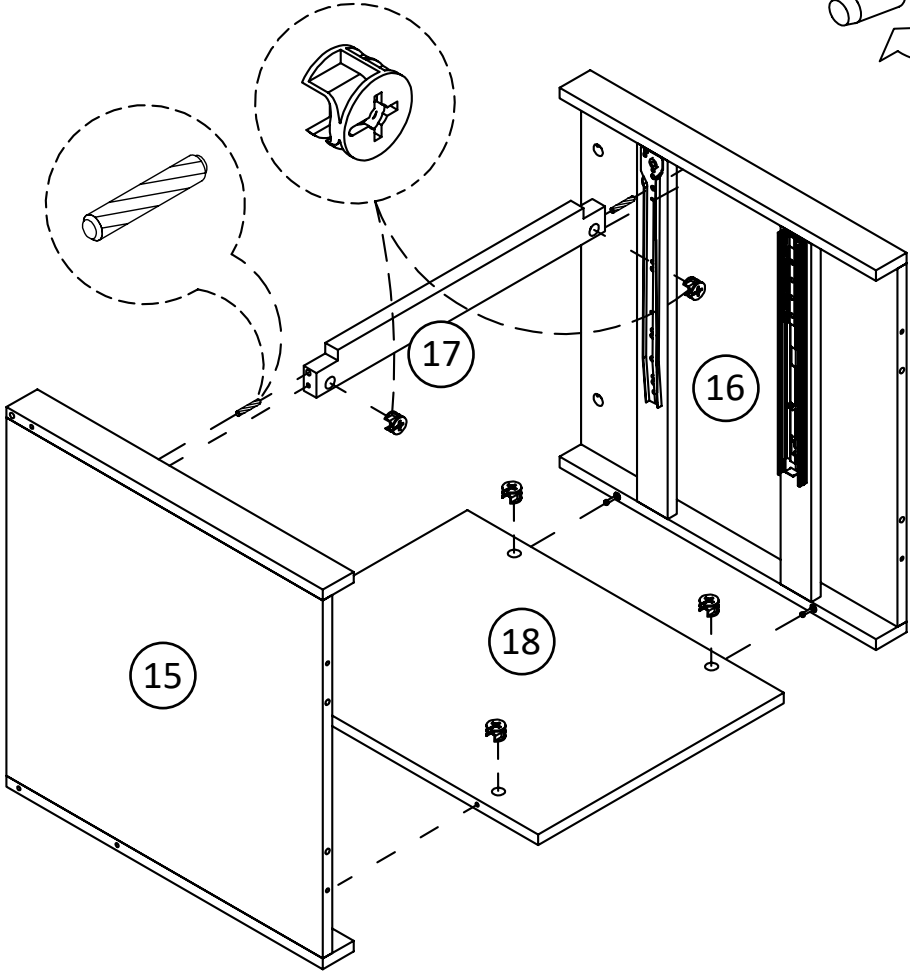
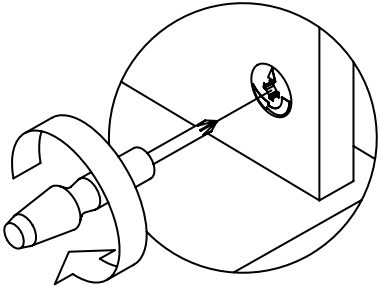
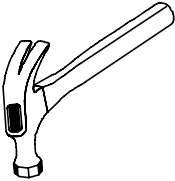
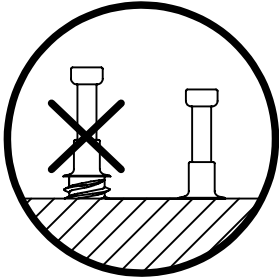
x6
TUD0002



x2
TUD0030

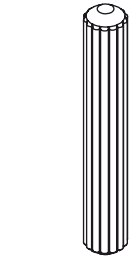
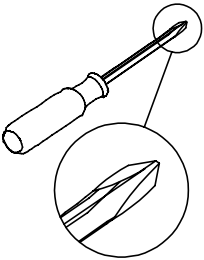


Proper orientation of CAM LOCK

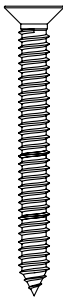


* raw edges are shaded

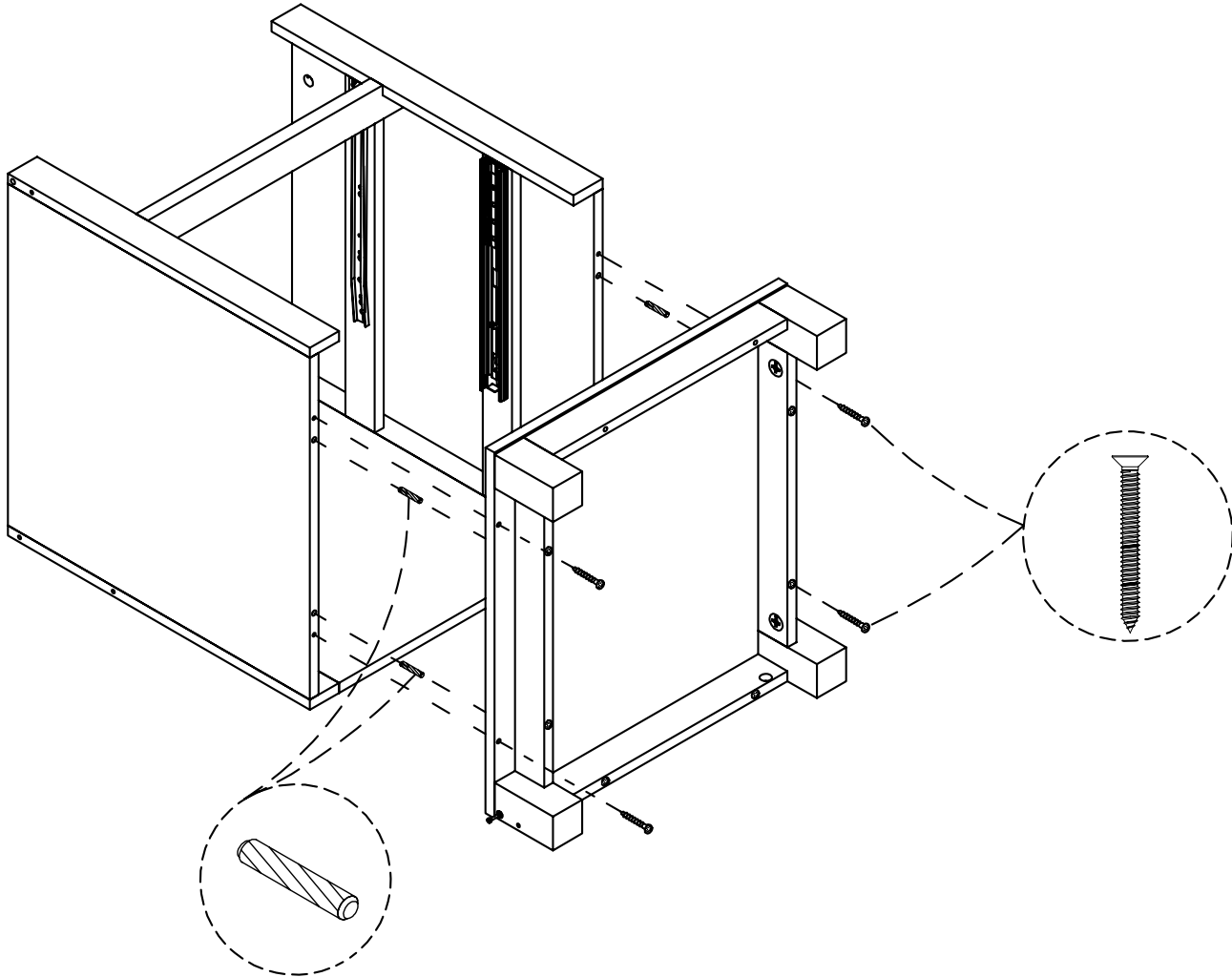
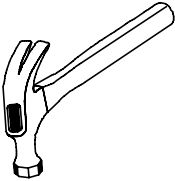
Step 5



x4
TUD0030

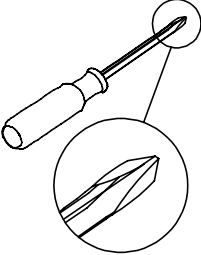


x4
TUD0009

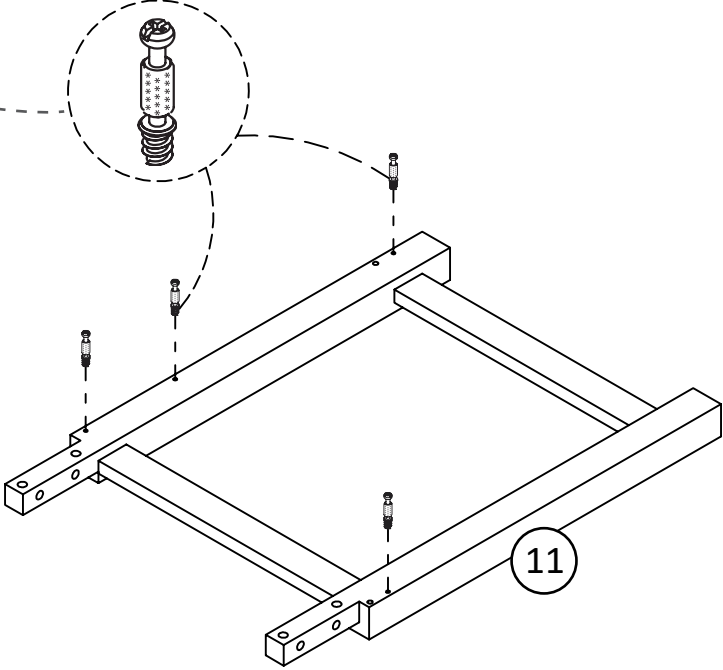
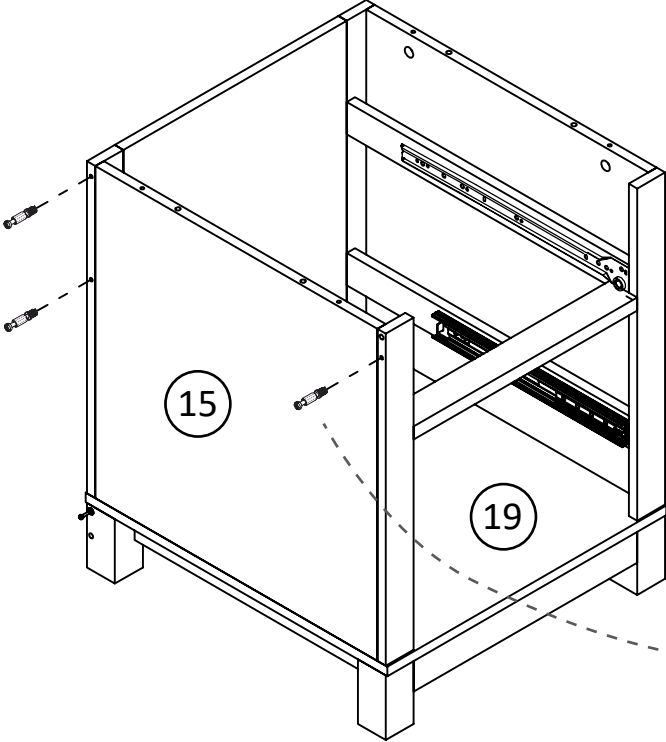
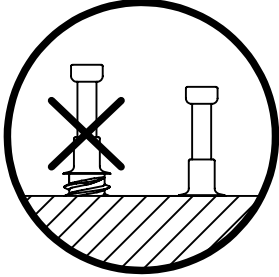


* raw edges are shaded

Step 6

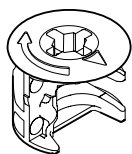
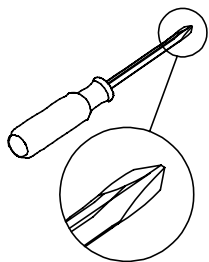


x7
TUD0001



* raw edges are shaded

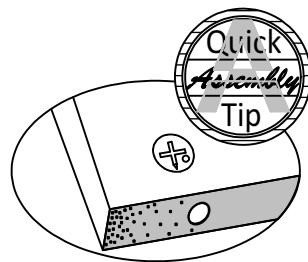
Step 7



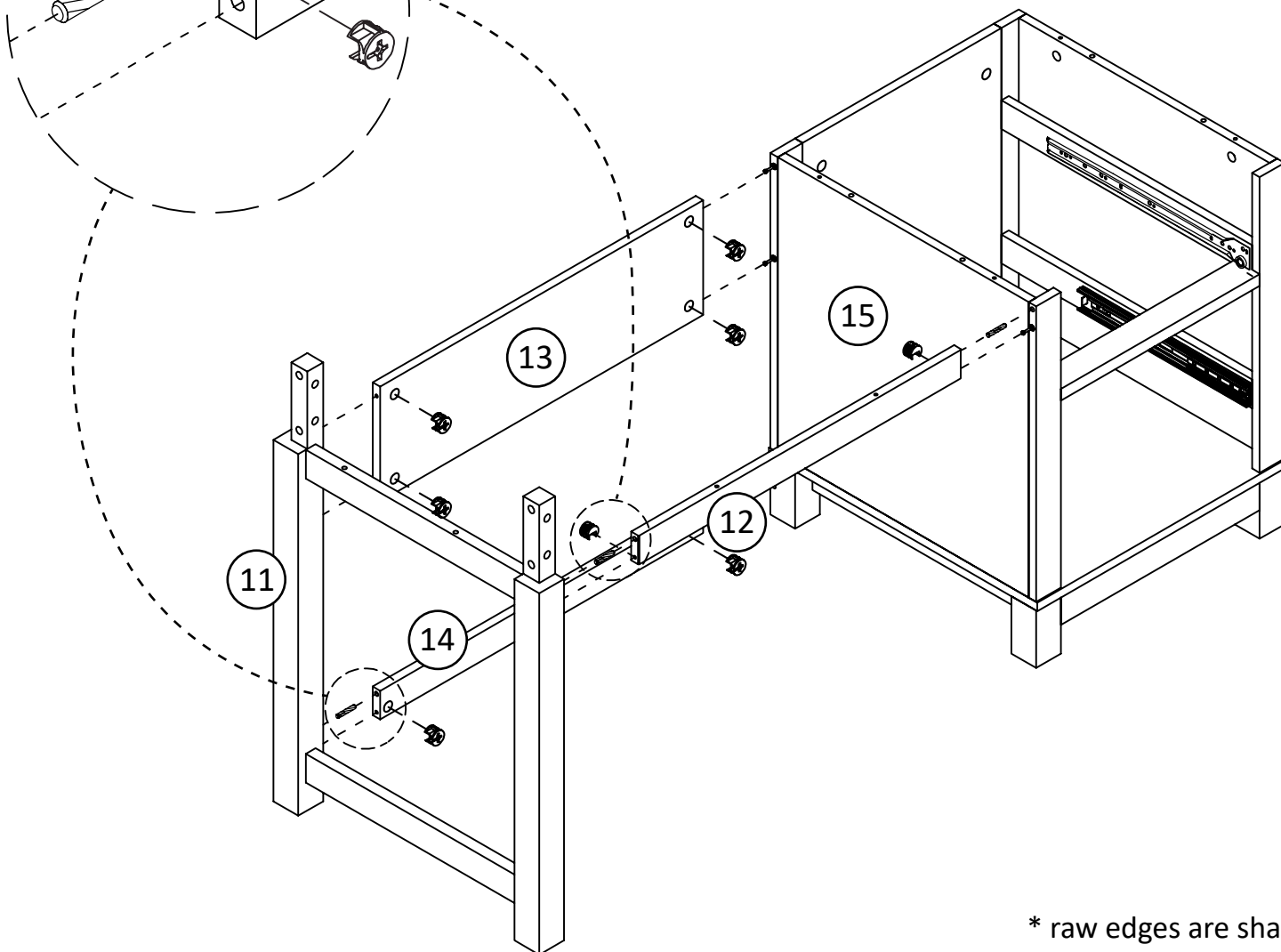
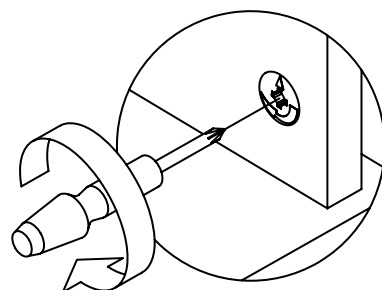
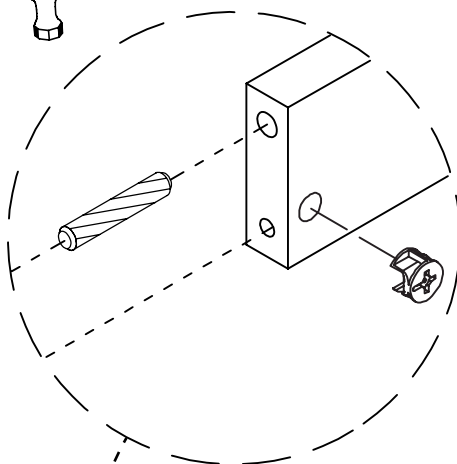
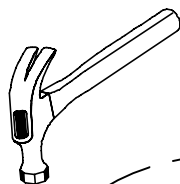
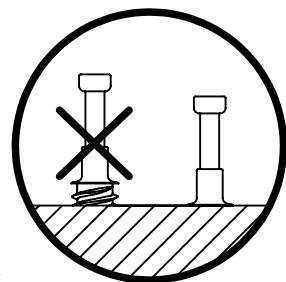
x8
TUD0002



x4
TUD0030

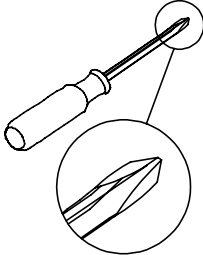


Proper orientation of CAM LOCK

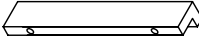


* raw edges are shaded

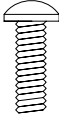
Step 8



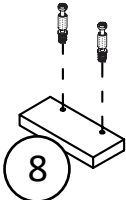
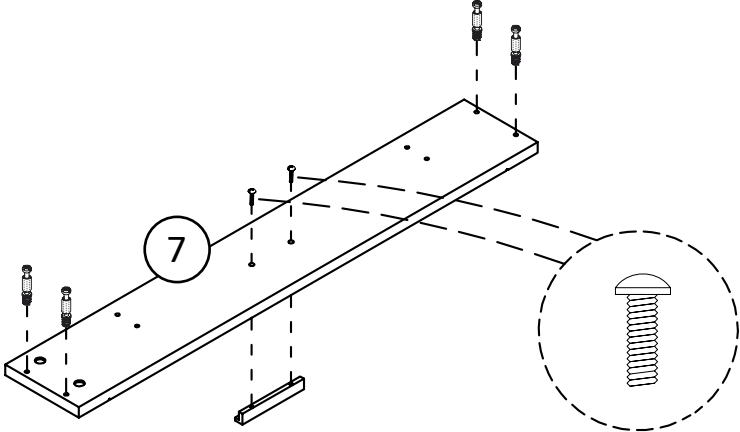
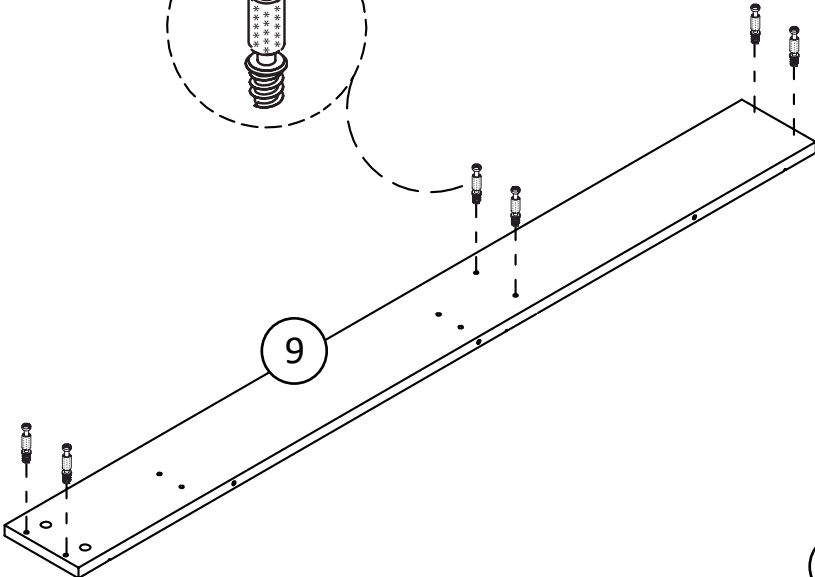
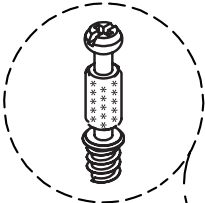
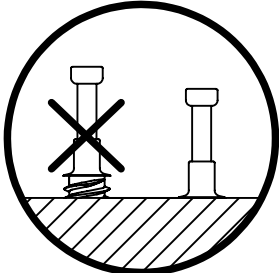
x12
TUD0001



x1
TUD0012

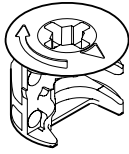
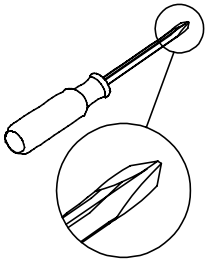


x2
TUD0011

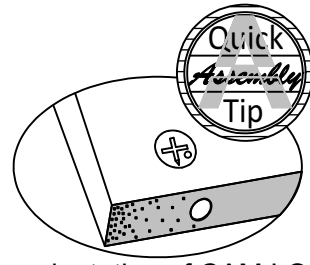


* raw edges are shaded

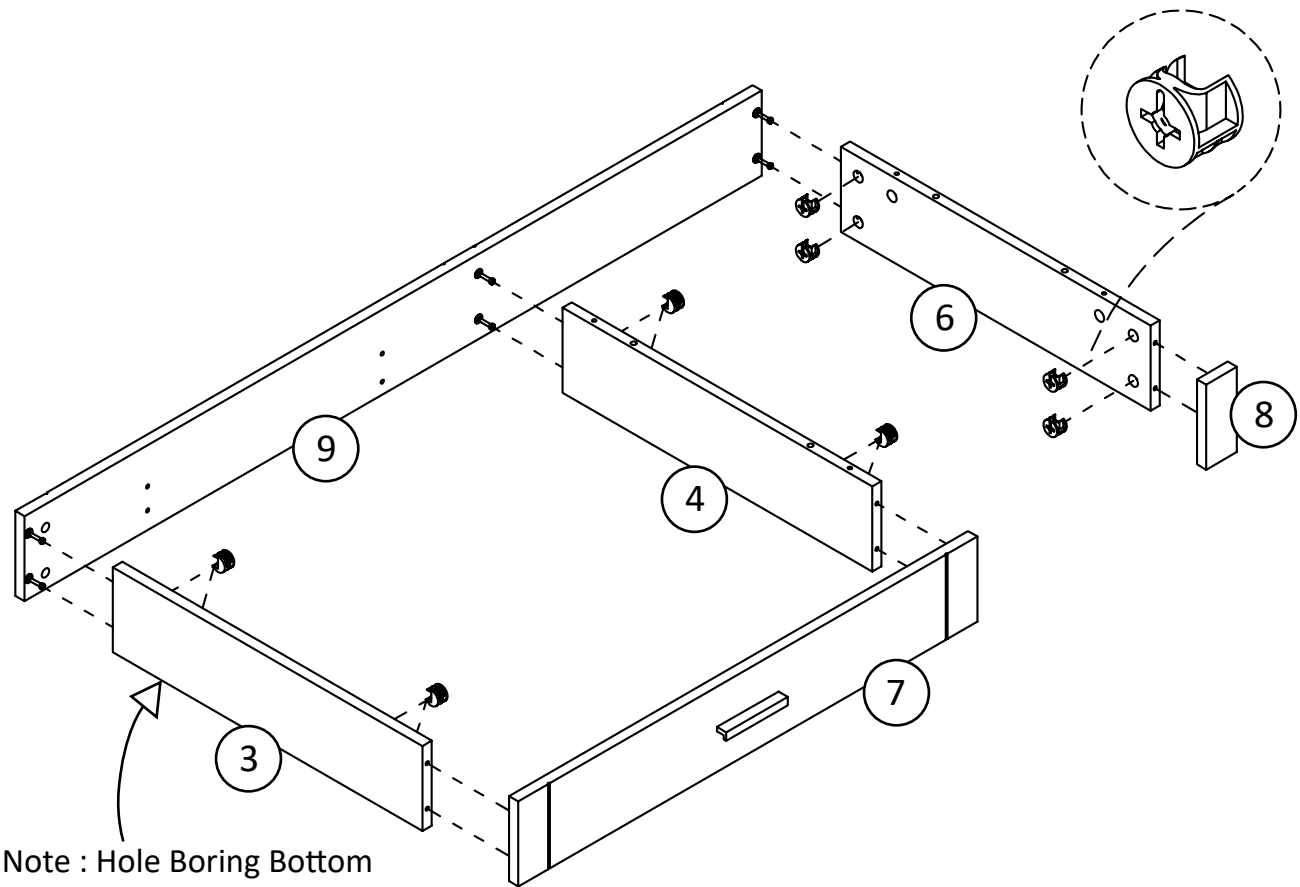
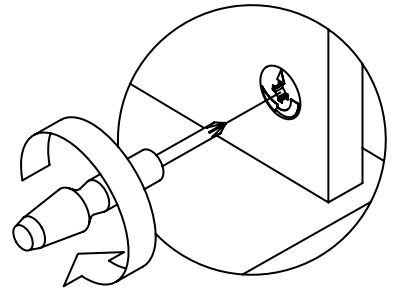
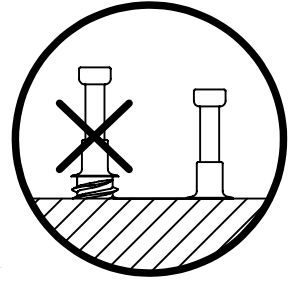
Step 9



x12
TUD0002

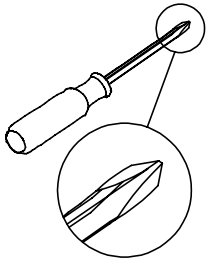


Proper orientation of CAM LOCK



* raw edges are shaded

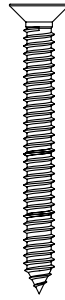
Step 10



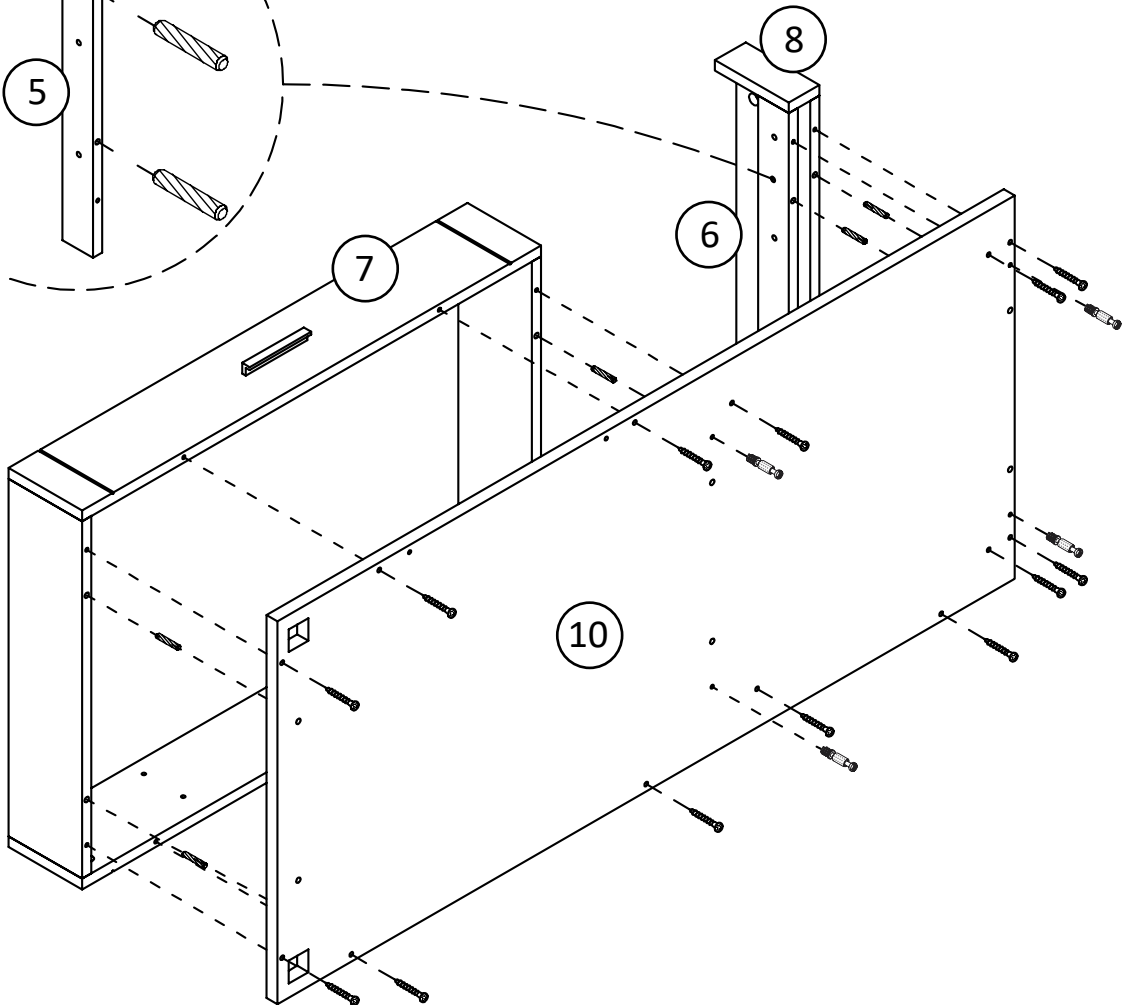
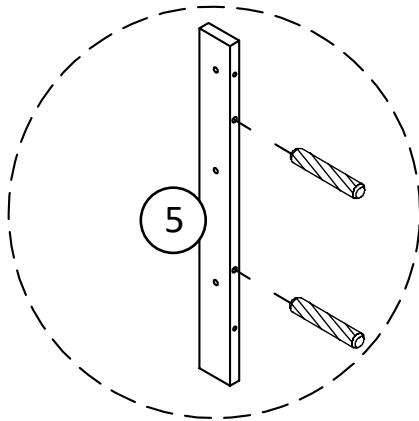
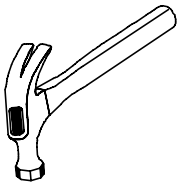
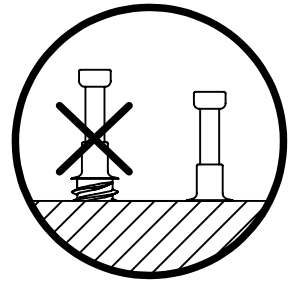
x4
TUD0001



x8
TUD0030

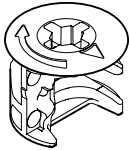
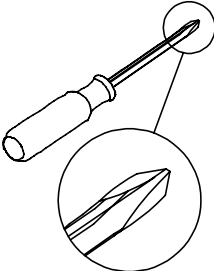


x13
TUD0009



* raw edges are shaded

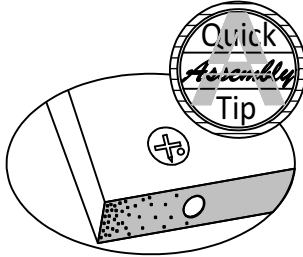
Step 11



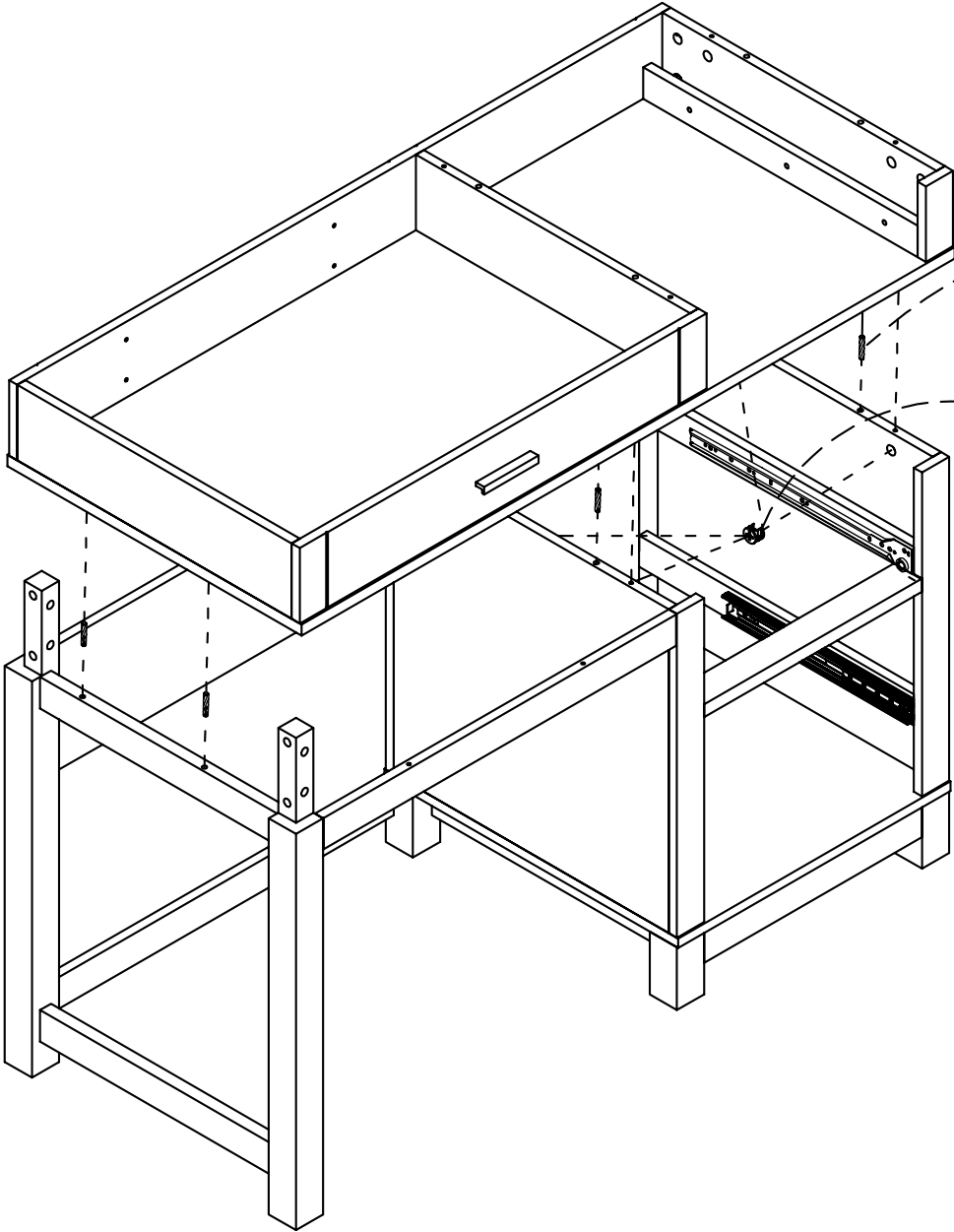
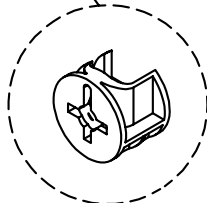
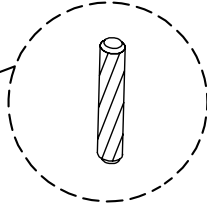
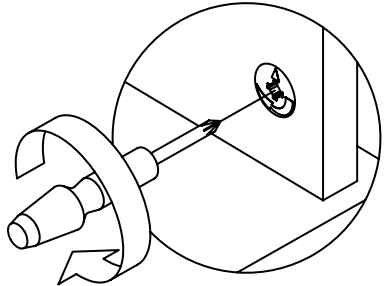
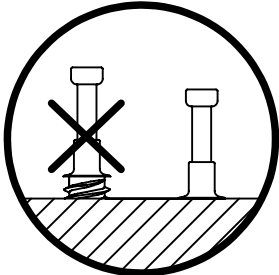
x4
TUD0002



x6
TUD0030

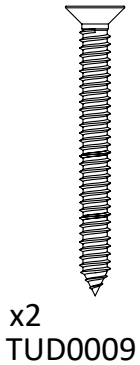
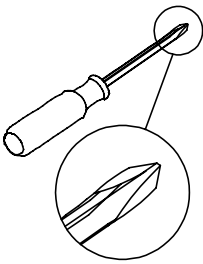


Proper orientation of CAM LOCK

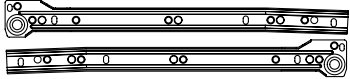


* raw edges are shaded

Step 12



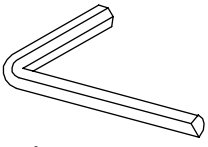
x2
TUD0009



x1 SET
TUD0016



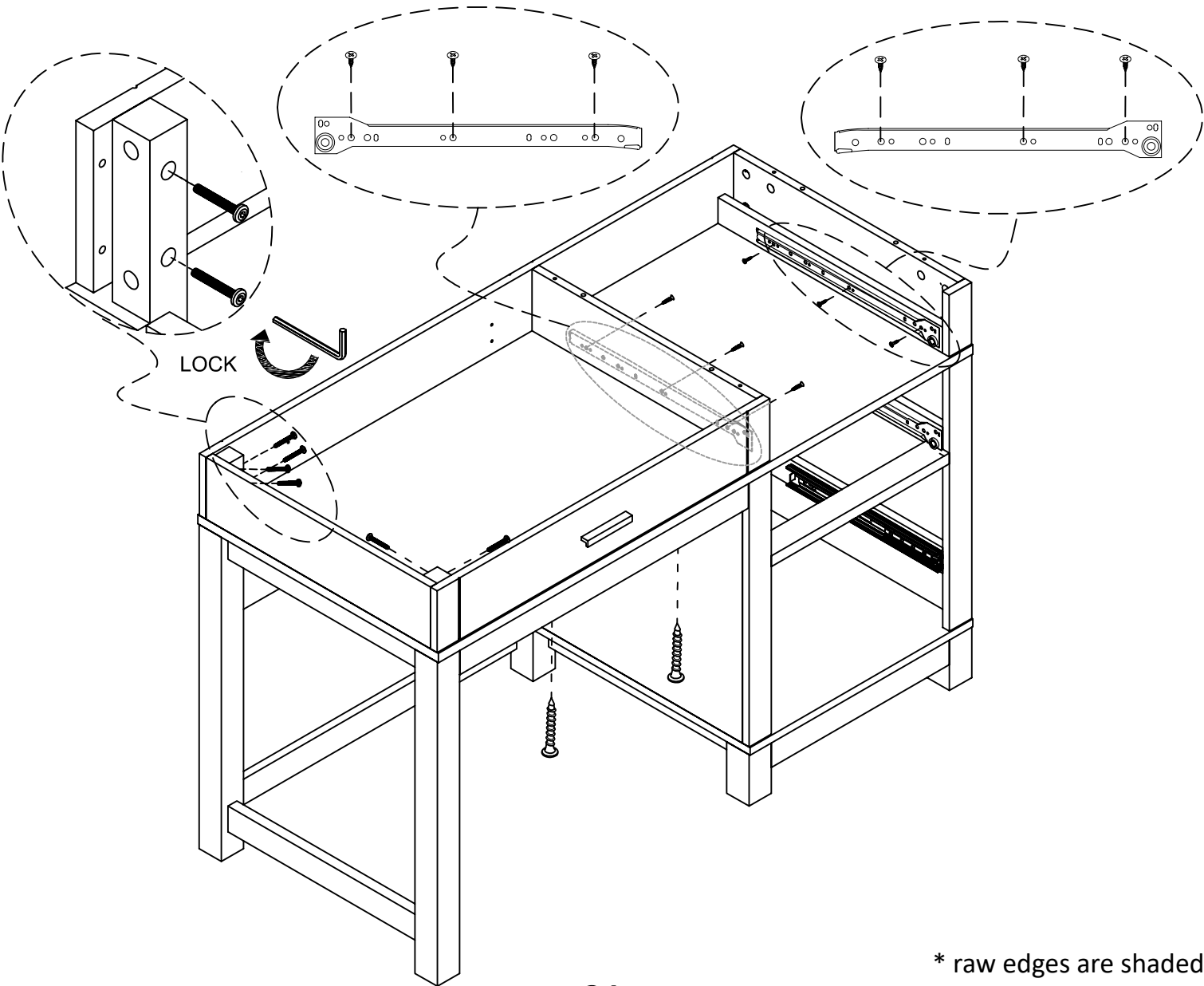
x8
TUD0047



x1
TUD0026

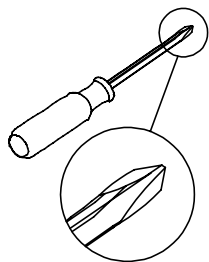


x6
TUD0008

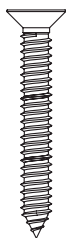


* raw edges are shaded

Step 13



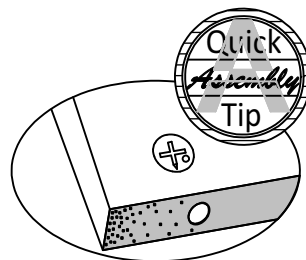
x4
TUD0001



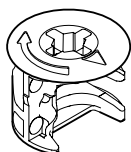
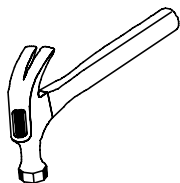
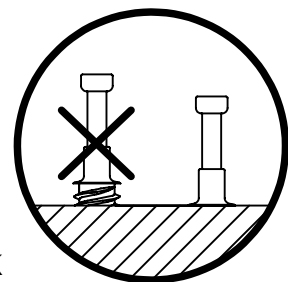
x8
TUD0022



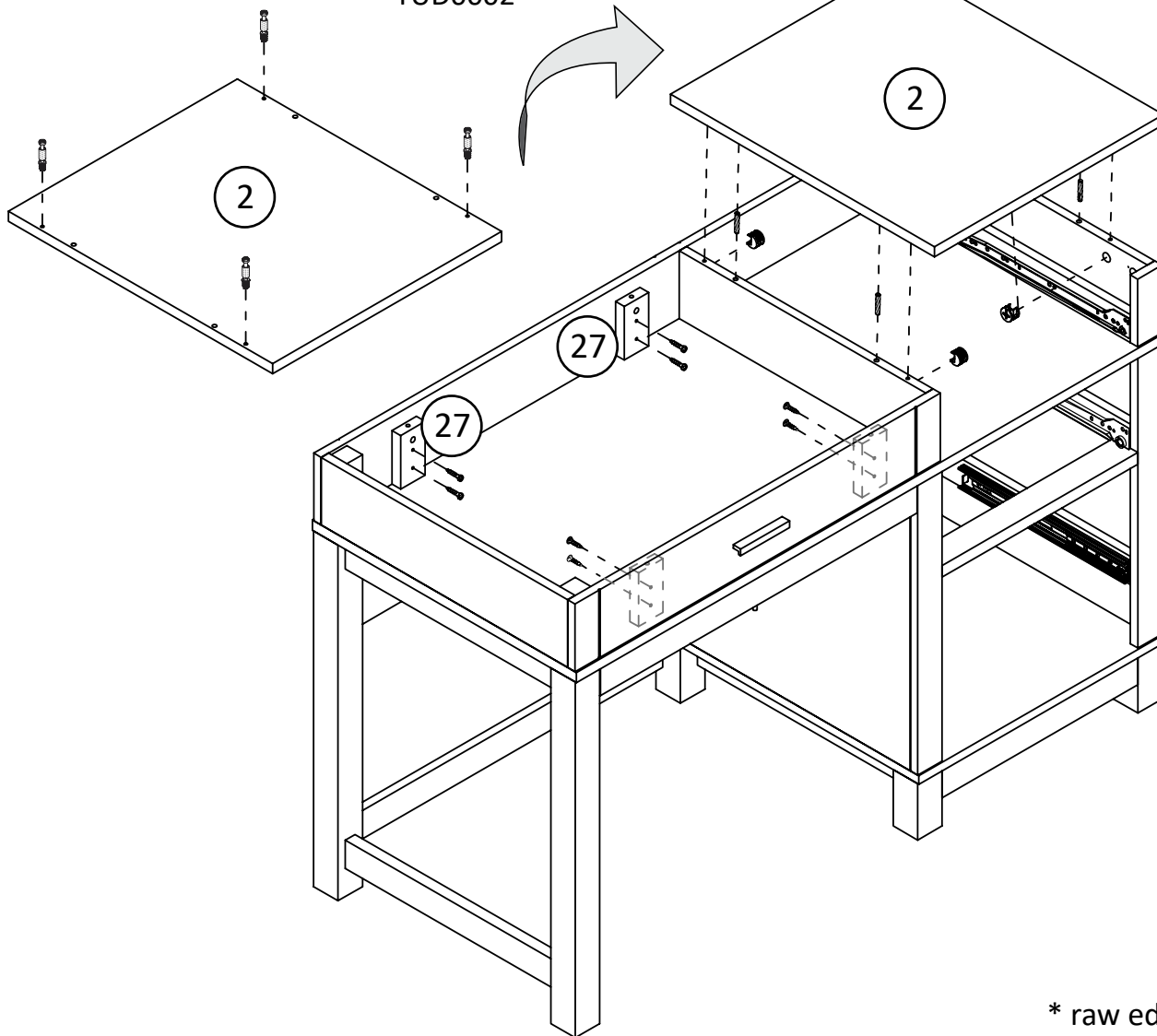
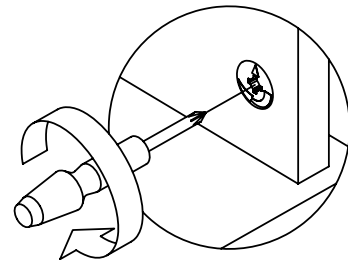
x4
TUD0030



Proper orientation of CAM LOCK



x4
TUD0002



* raw edges are shaded

Step 14



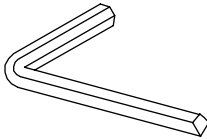
x8
TUD0052



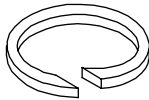
x8
TUD0053



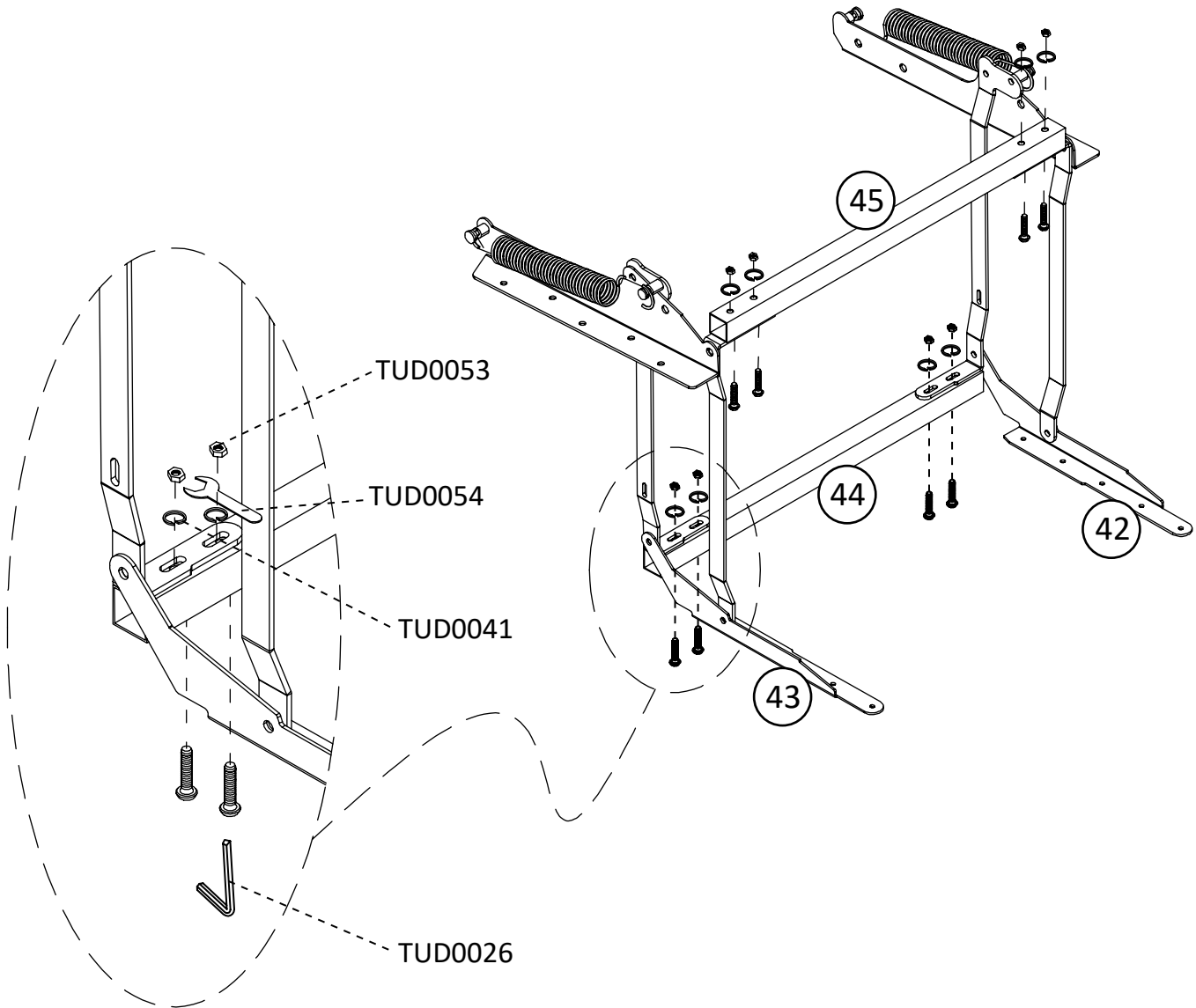
x1
TUD0054



x1
TUD0026

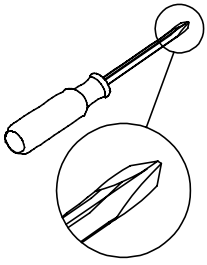


x8
TUD0041



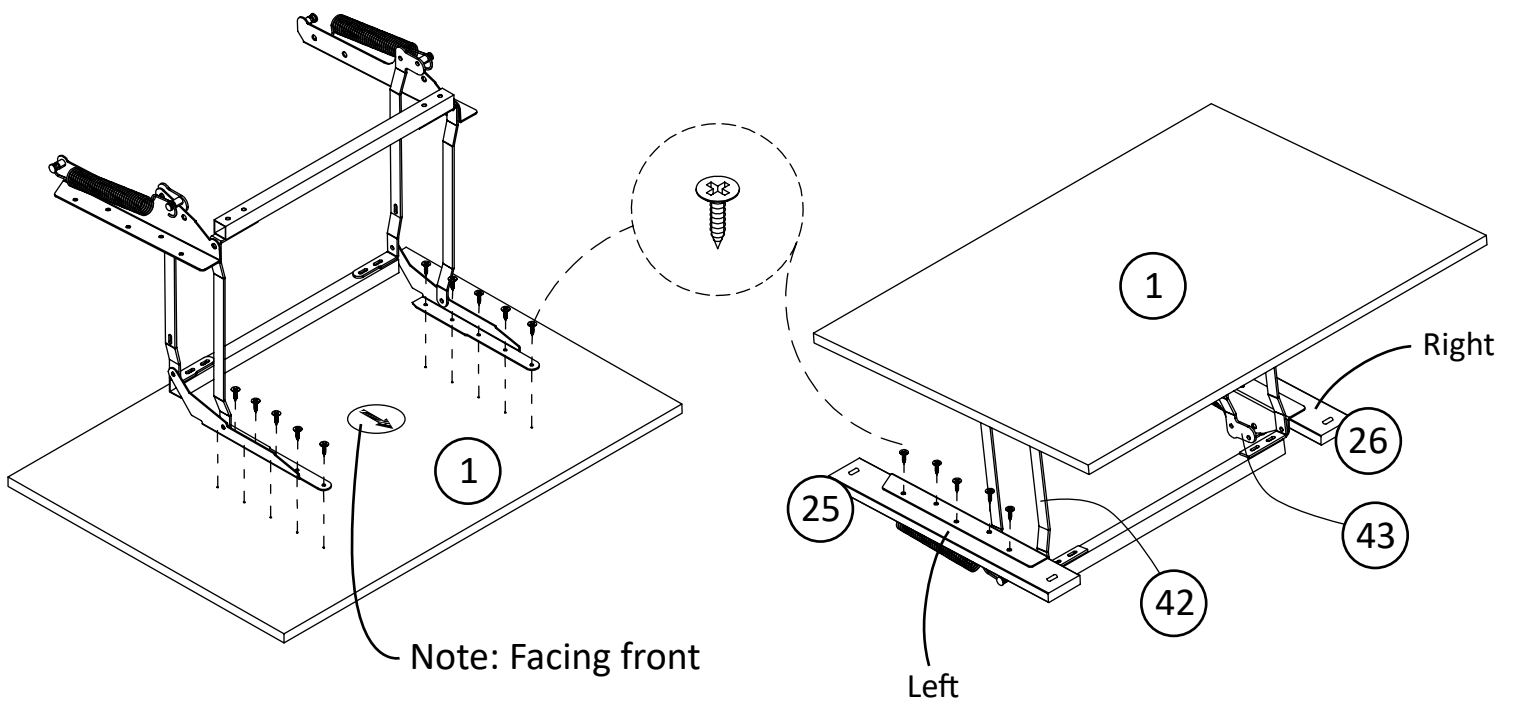
* raw edges are shaded

Step 15



x20
TUD0008

Note: please tighten all screws in this step.



* raw edges are shaded

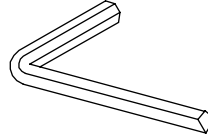
Step 16



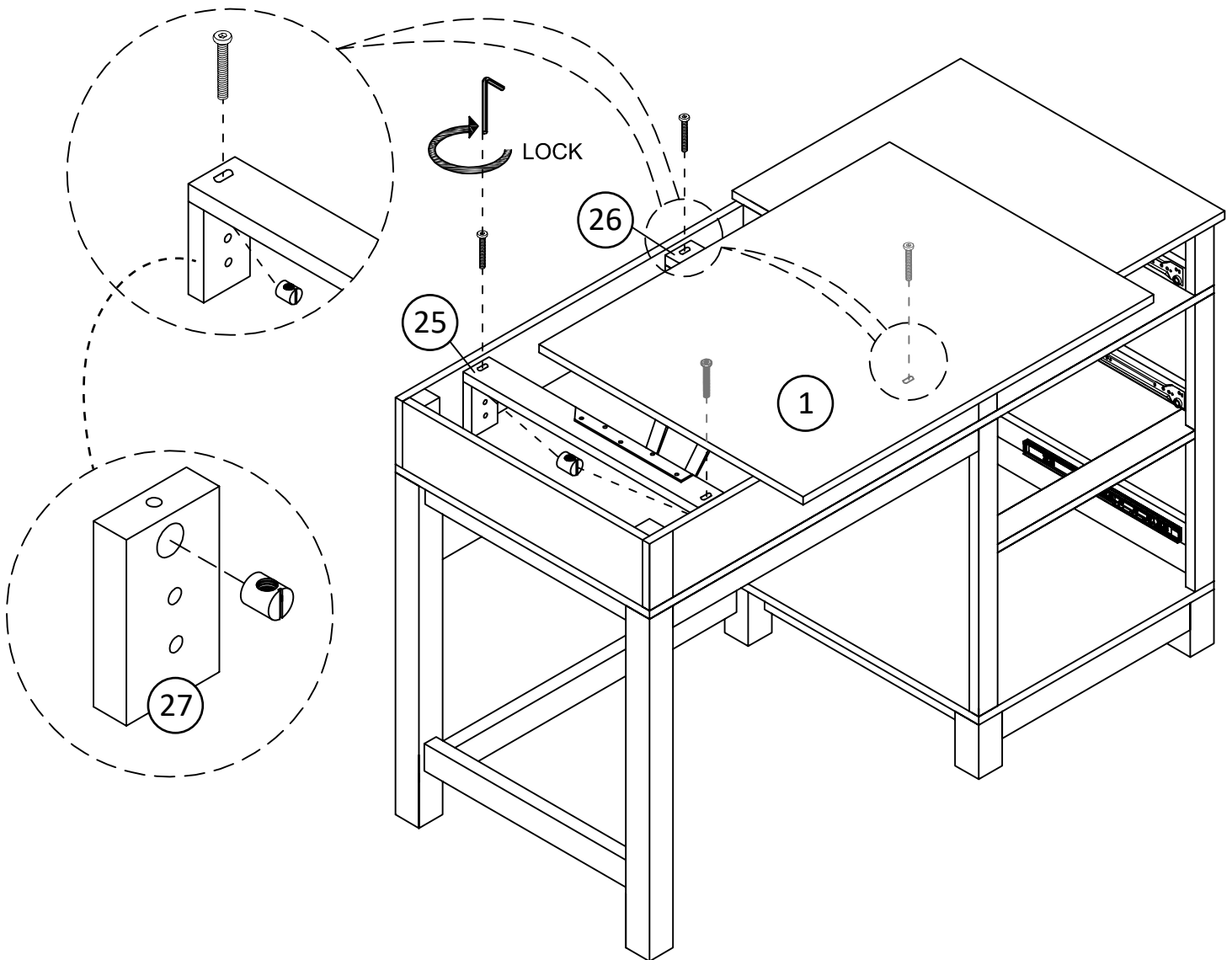
x4
TUD0047



x4
TUD0048

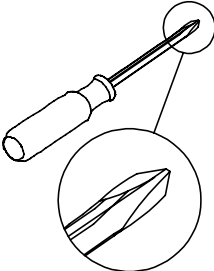


x1
TUD0026

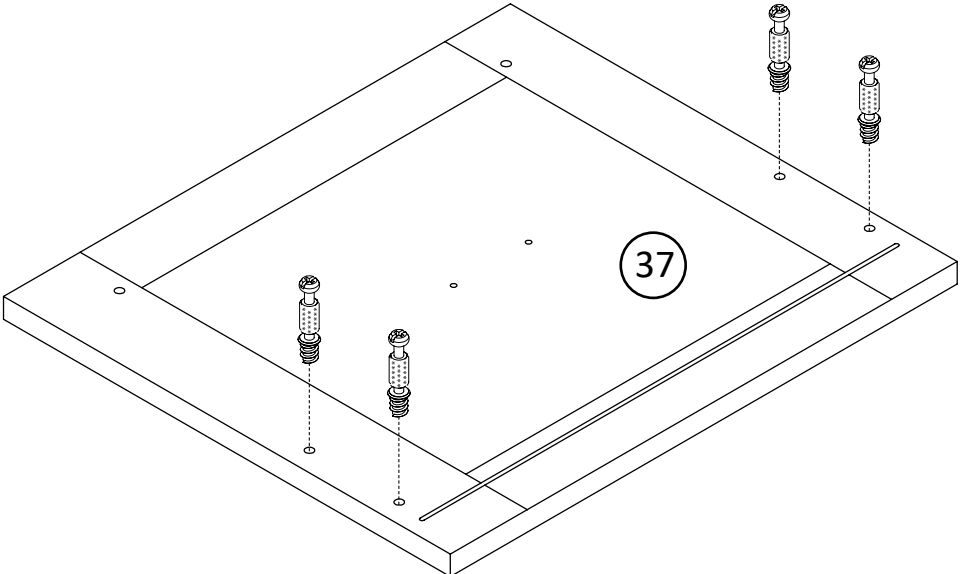
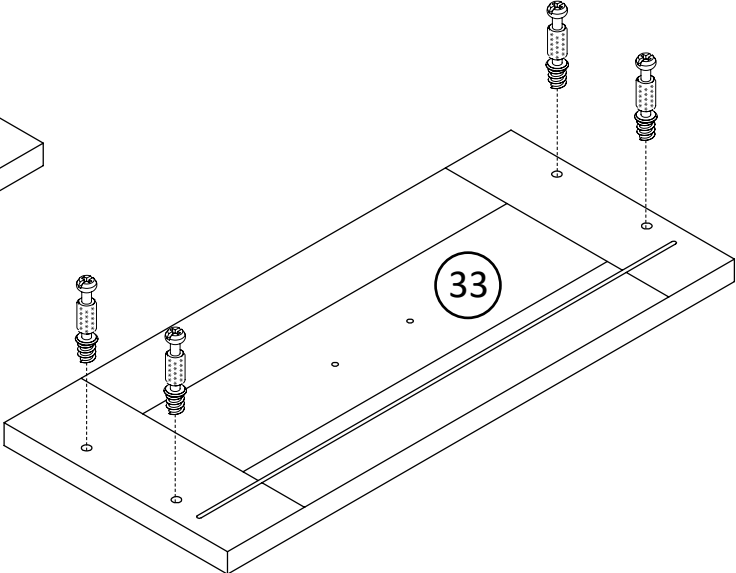
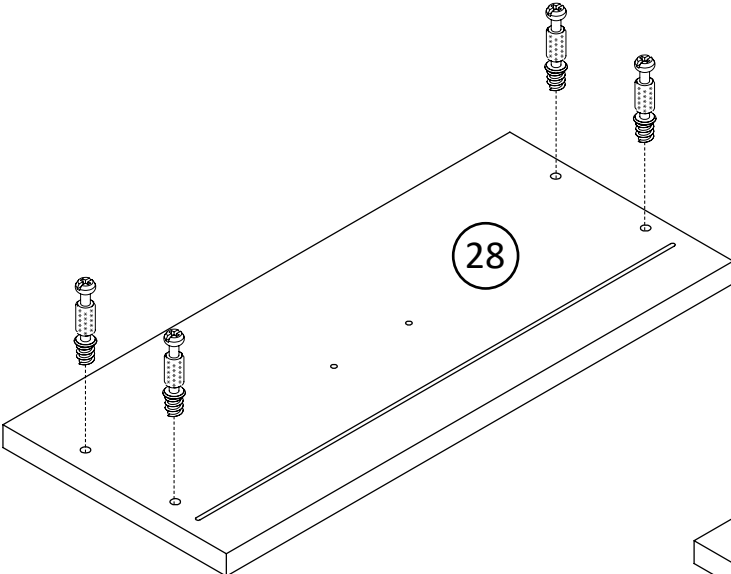
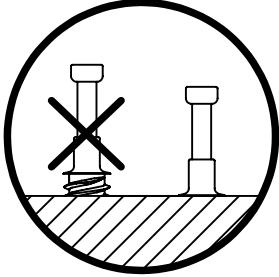


* raw edges are shaded

Step 17

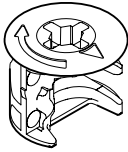
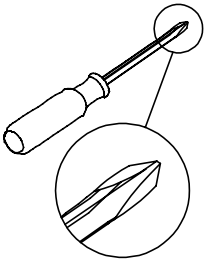


x12
TUD0001

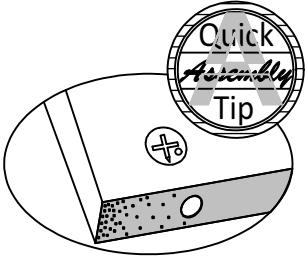


* raw edges are shaded

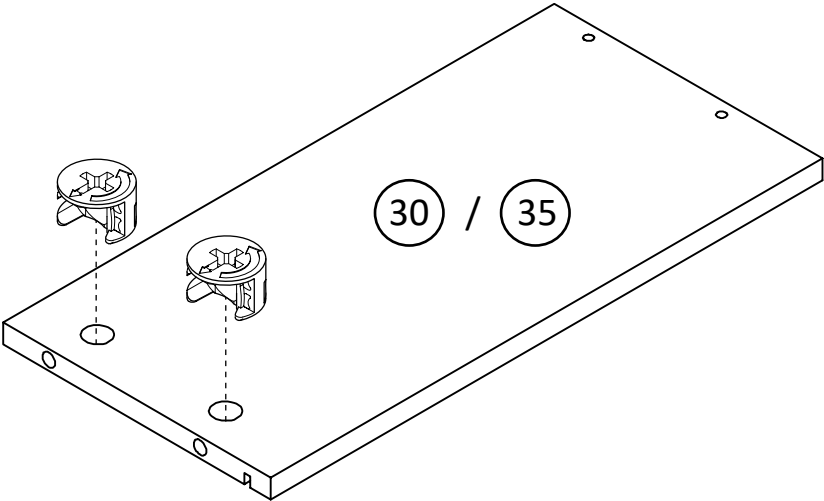
Step 18



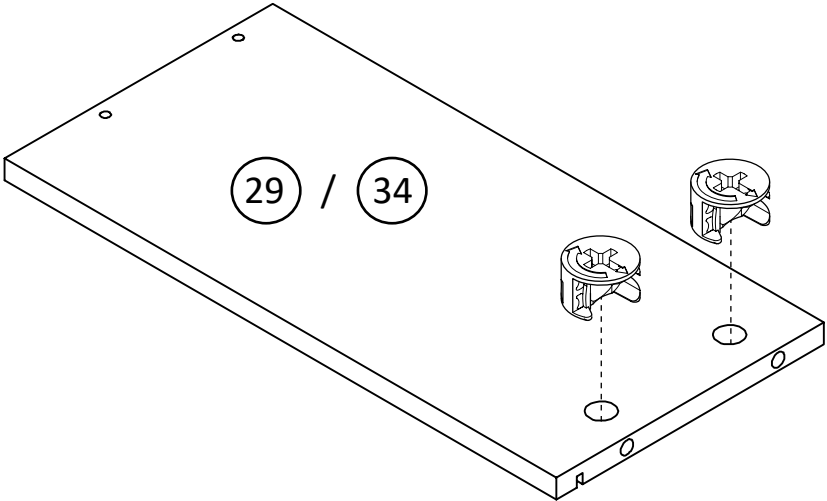
x8
TUD0002



Proper orientation of CAM LOCK



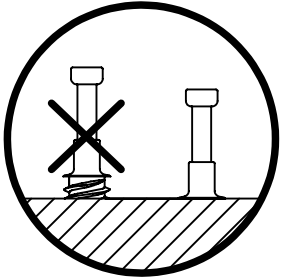
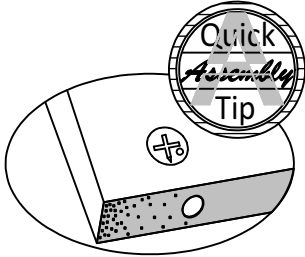
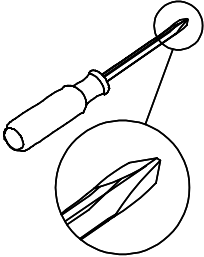
x2



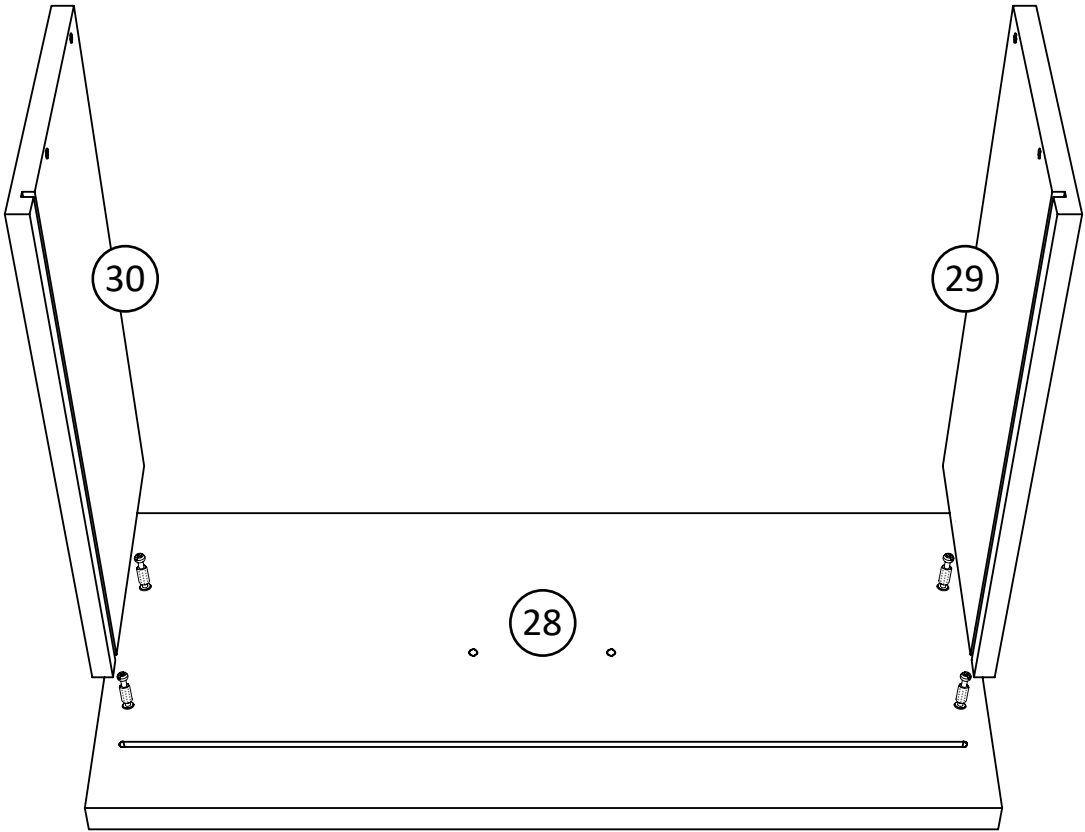
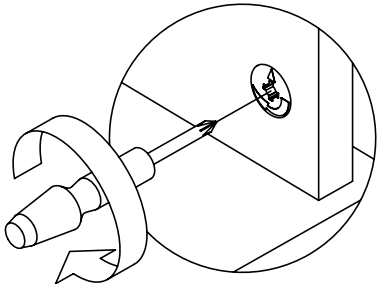
x2

* raw edges are shaded

Step 19

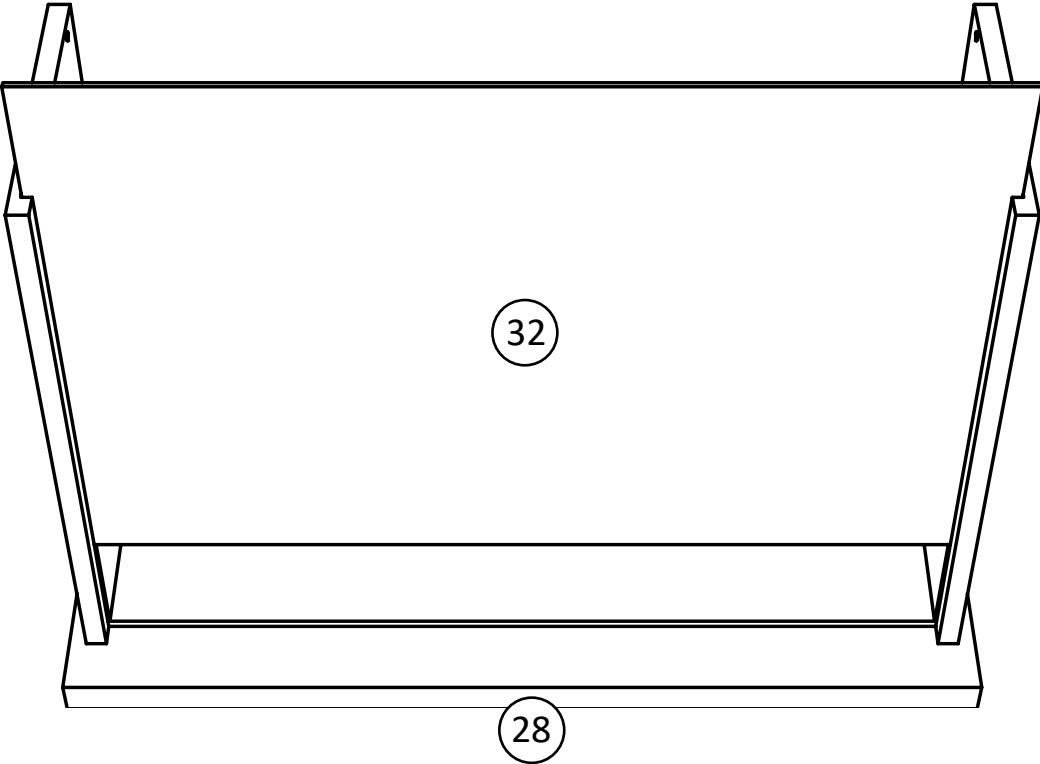


Proper orientation of CAM LOCK



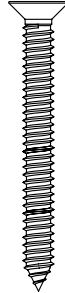
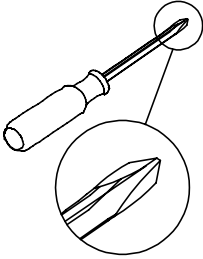
* raw edges are shaded

Step 20

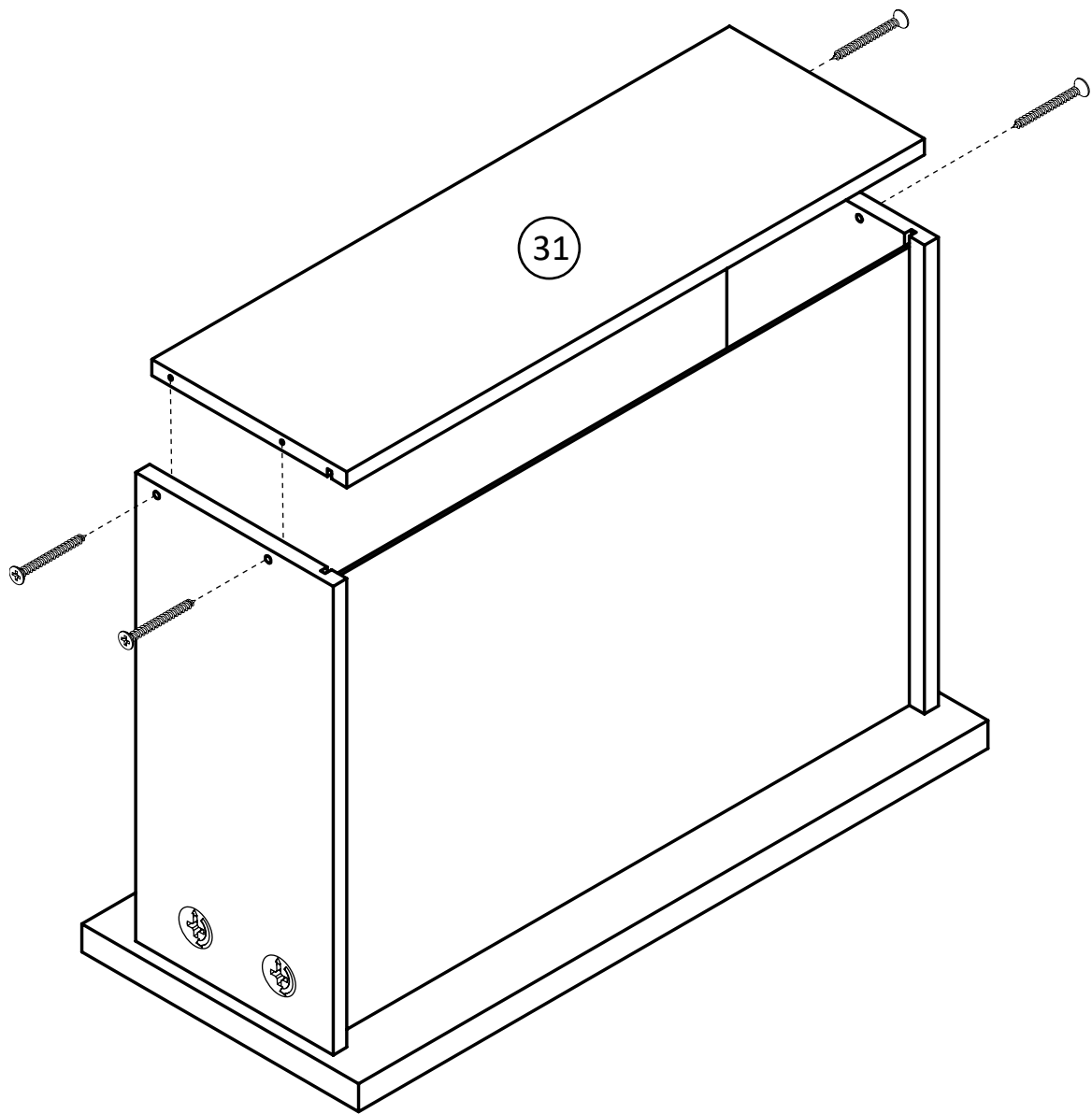


* raw edges are shaded

Step 21

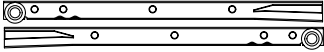
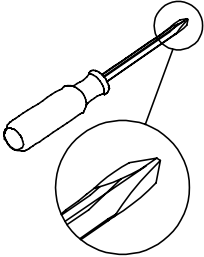


x4
TUD0009



* raw edges are shaded

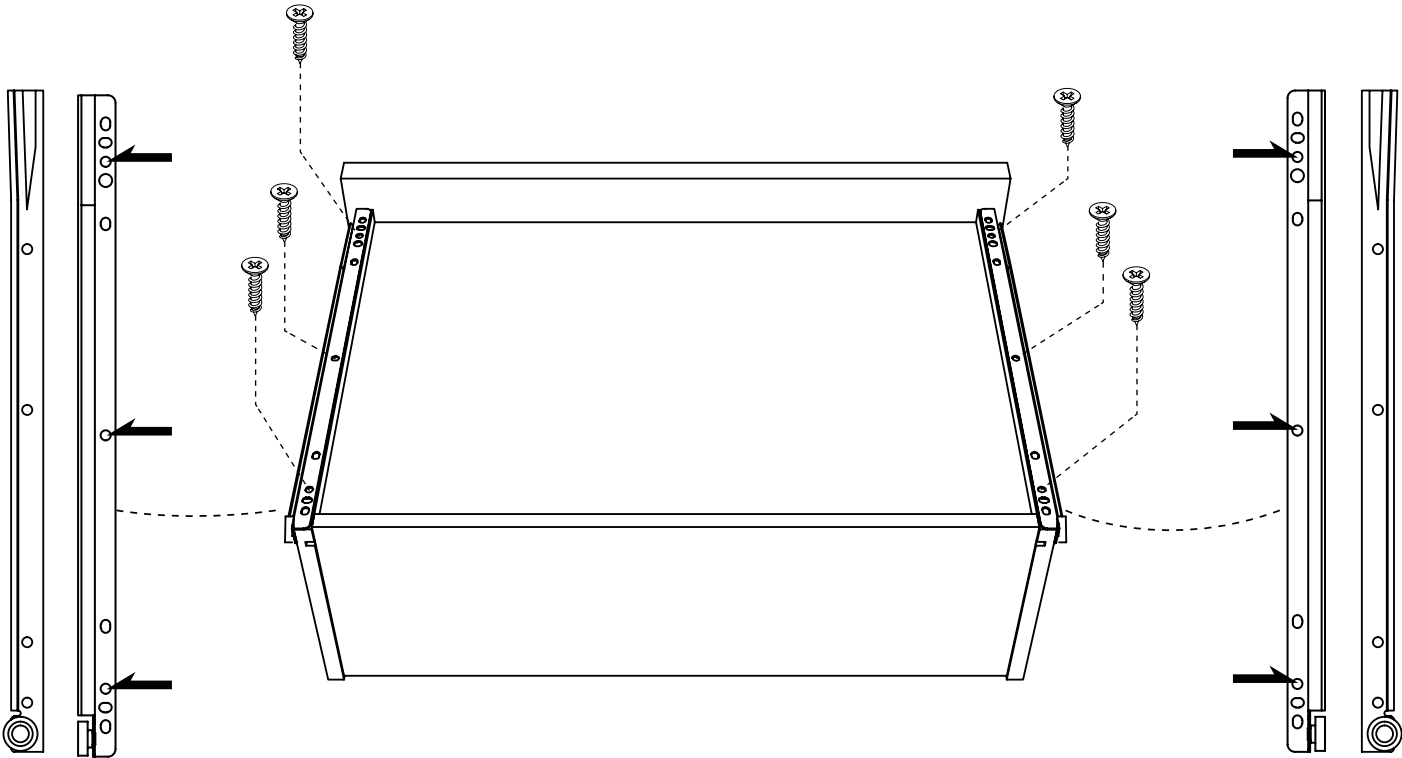
Step 22



x1 SET
TUD0016

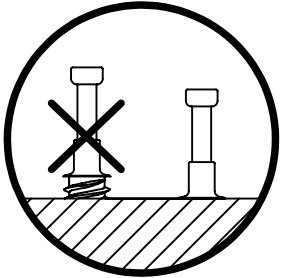
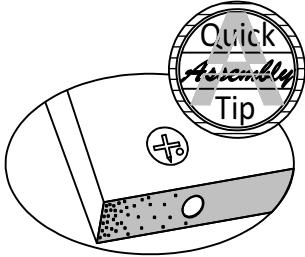
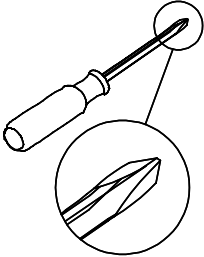


x6
TUD0008

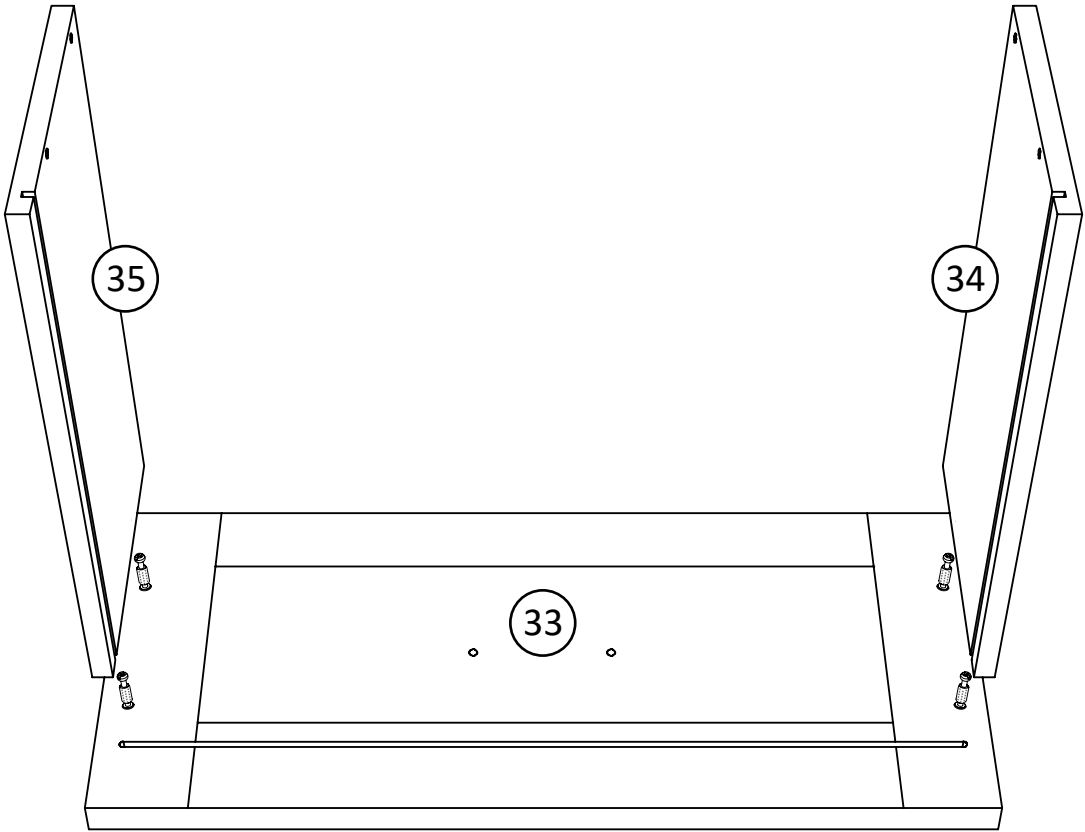
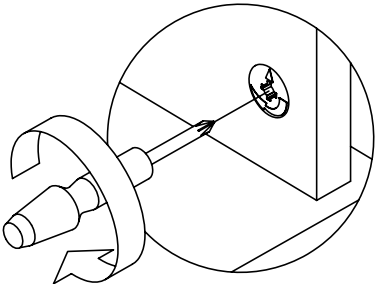


* raw edges are shaded

Step 23

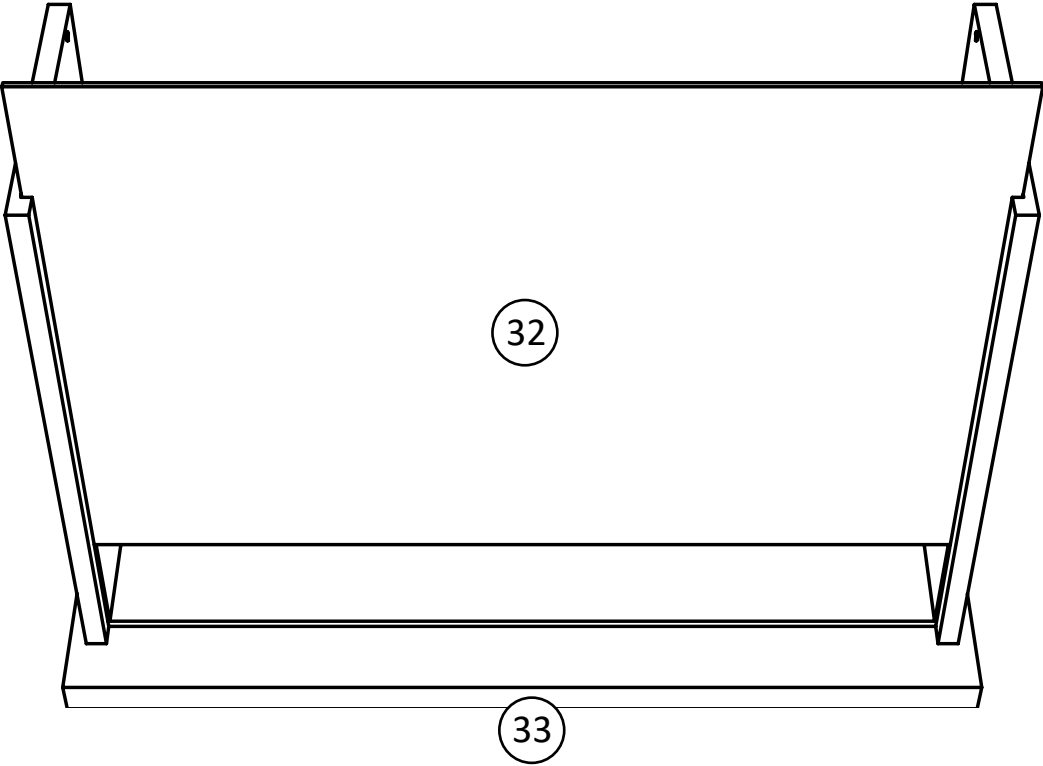


Proper orientation of CAM LOCK



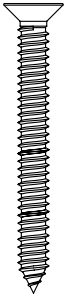
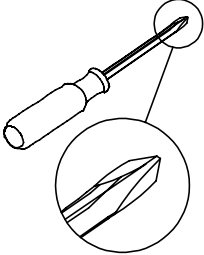
* raw edges are shaded

Step 24

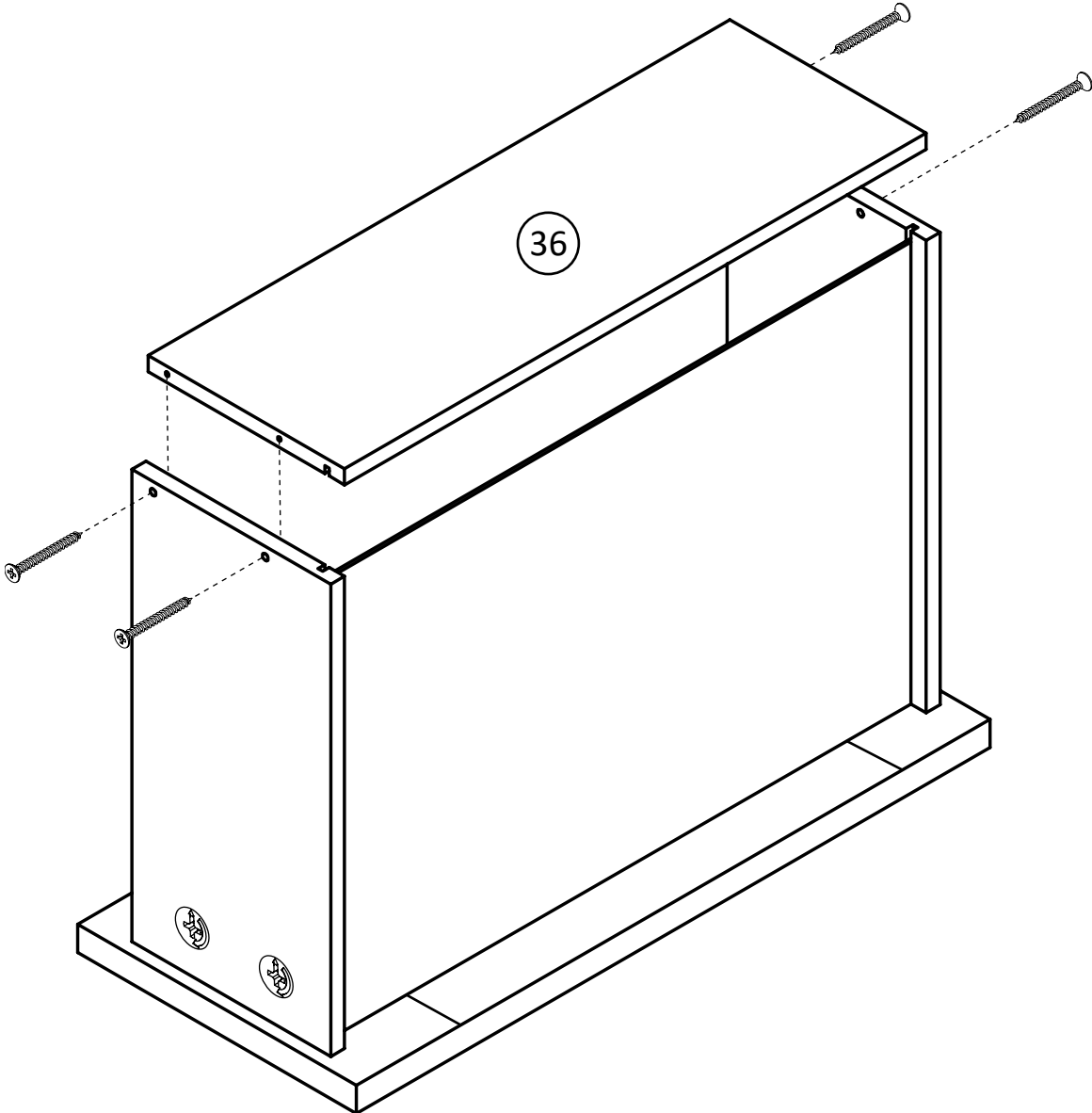


* raw edges are shaded

Step 25

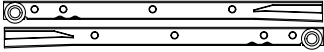
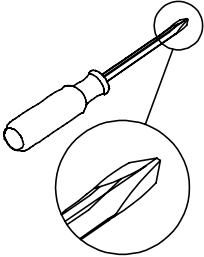


x4
TUD0009



* raw edges are shaded

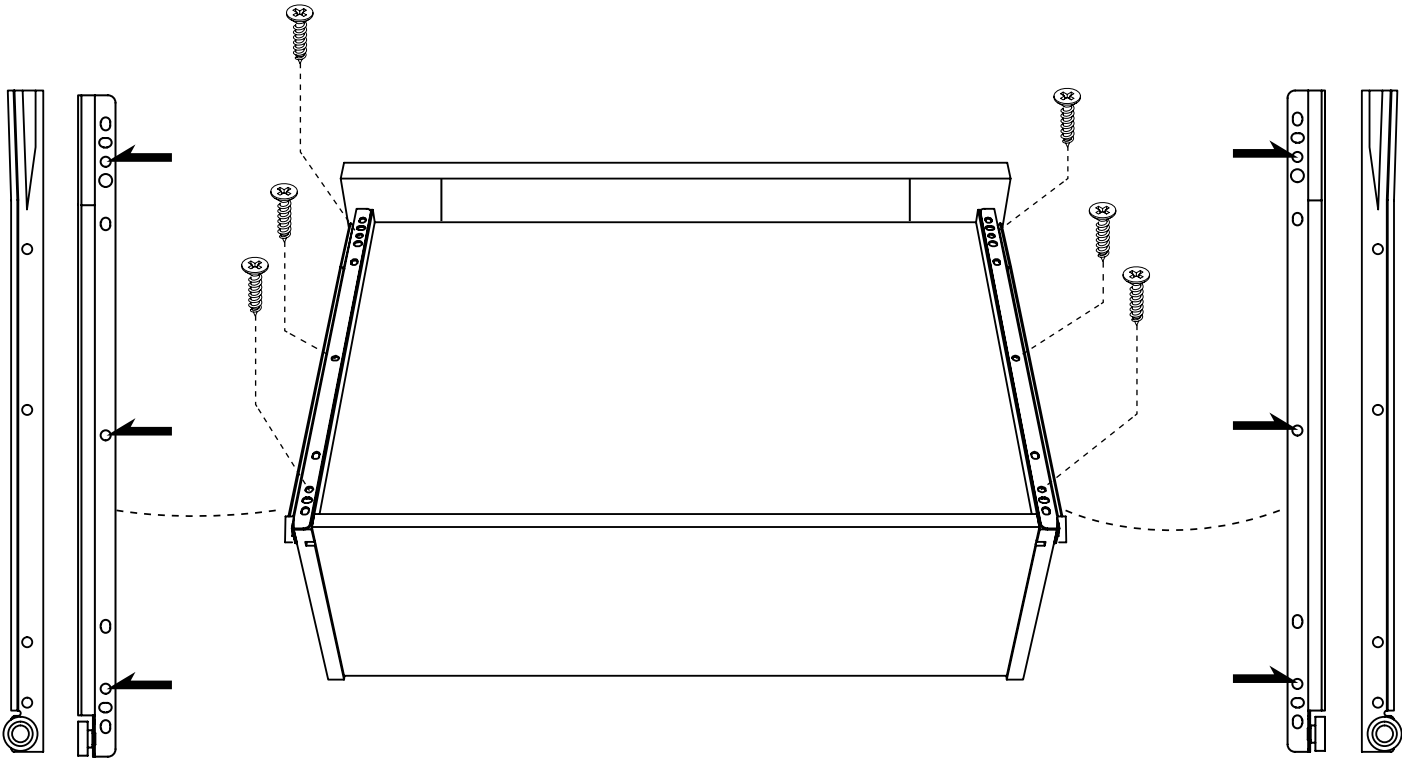
Step 26



x1 SET
TUD0016

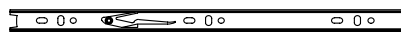
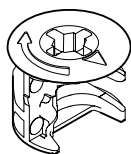
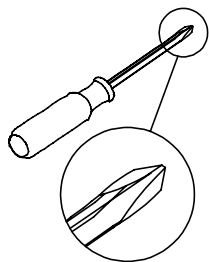


x6
TUD0008



* raw edges are shaded

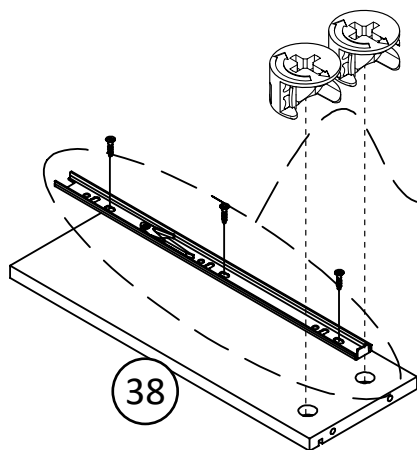
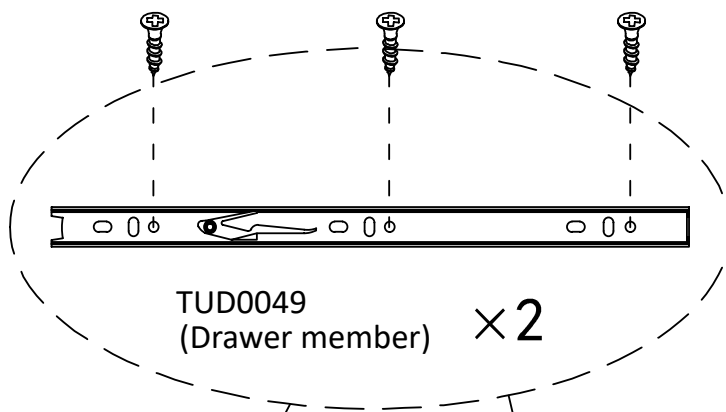
Step 27



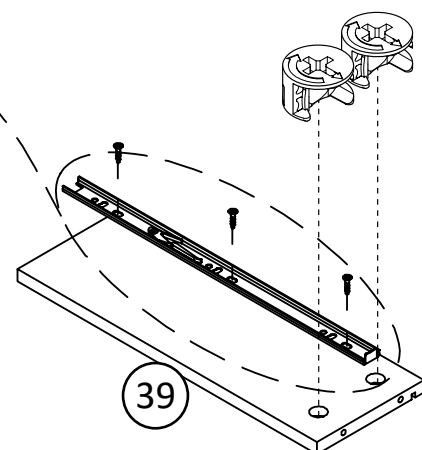
x4
TUD0002

x6
TUD0007

x1 SET
TUD0049



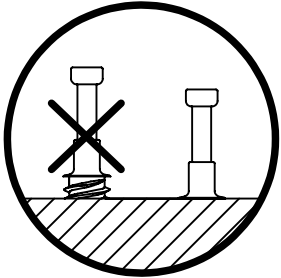
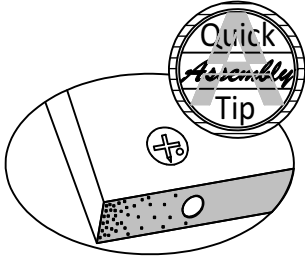
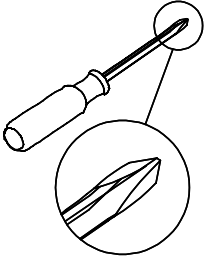
38



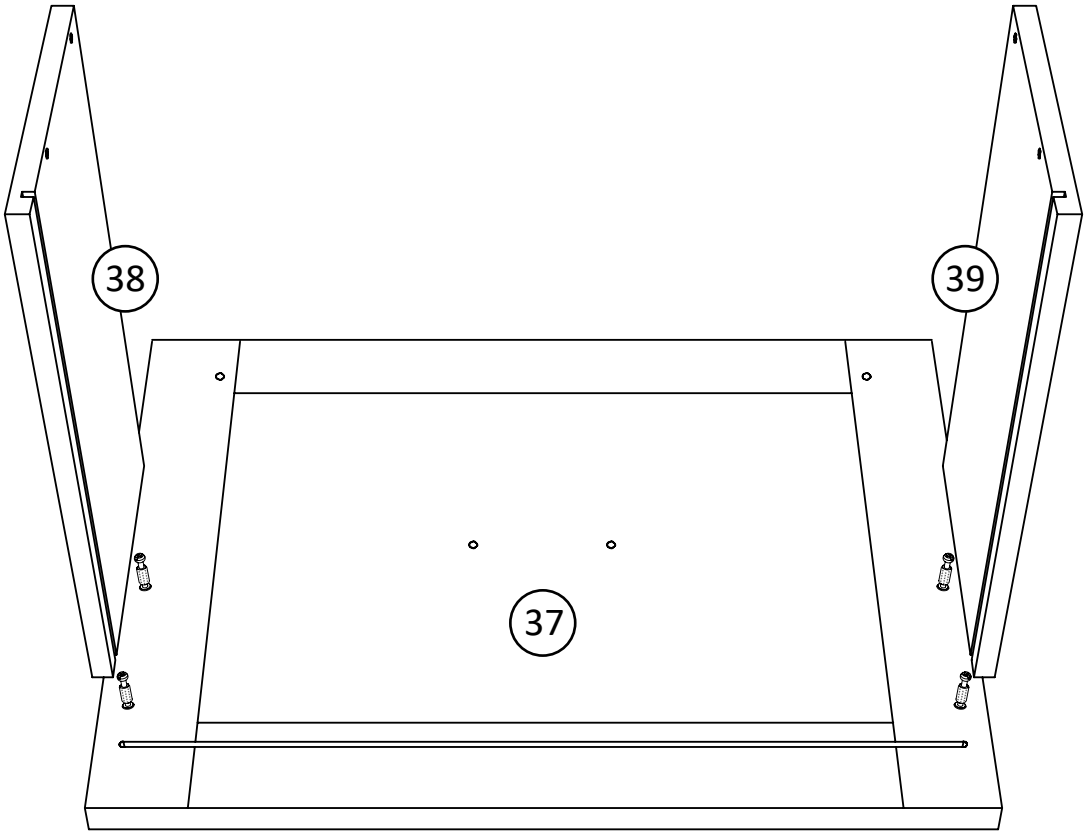
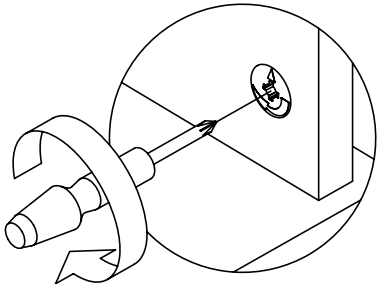
39

* raw edges are shaded

Step 28

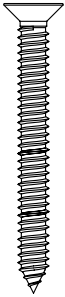
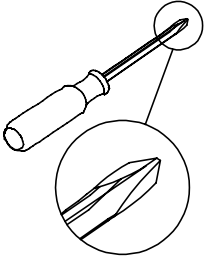


Proper orientation of CAM LOCK

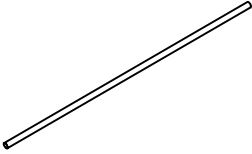


* raw edges are shaded

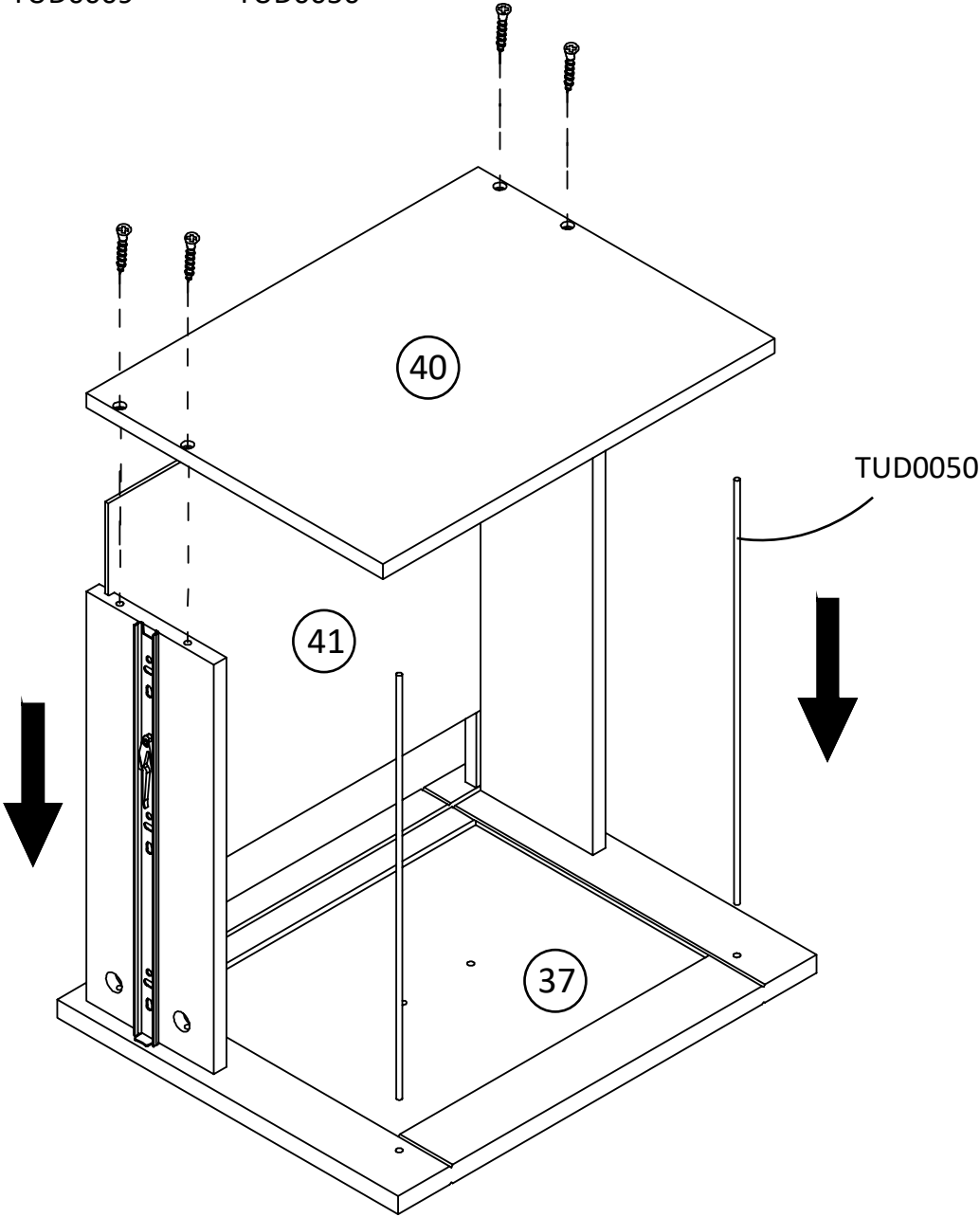
Step 29



x4
TUD0009

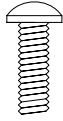
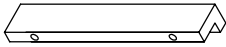
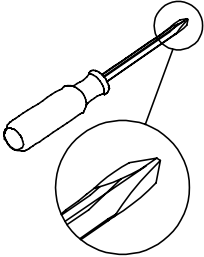


x2
TUD0050



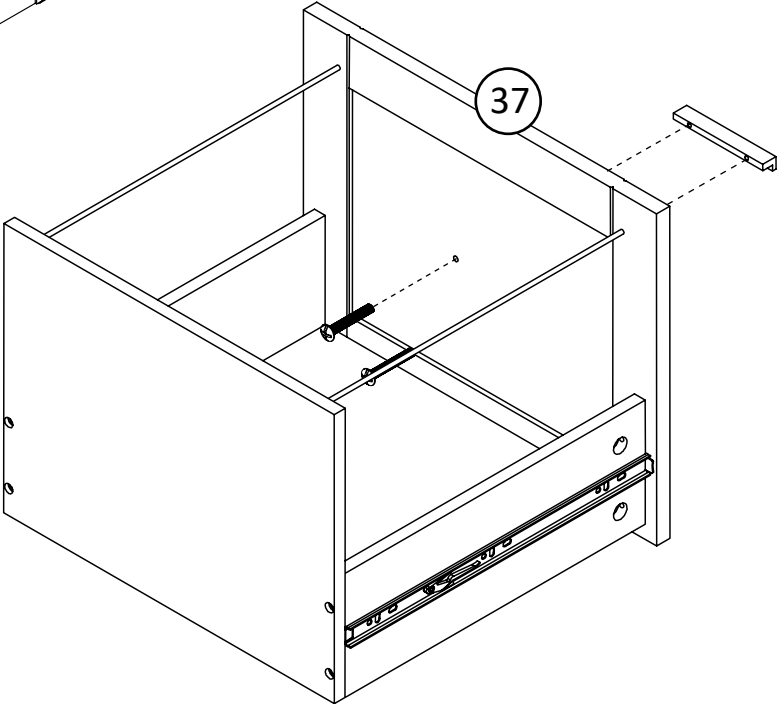
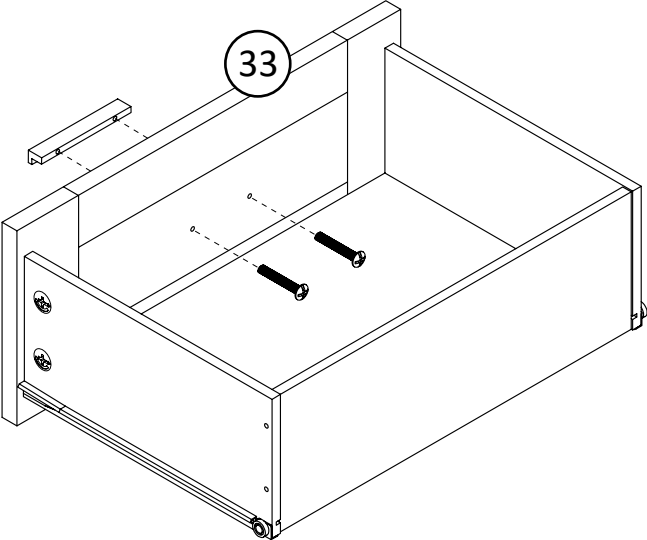
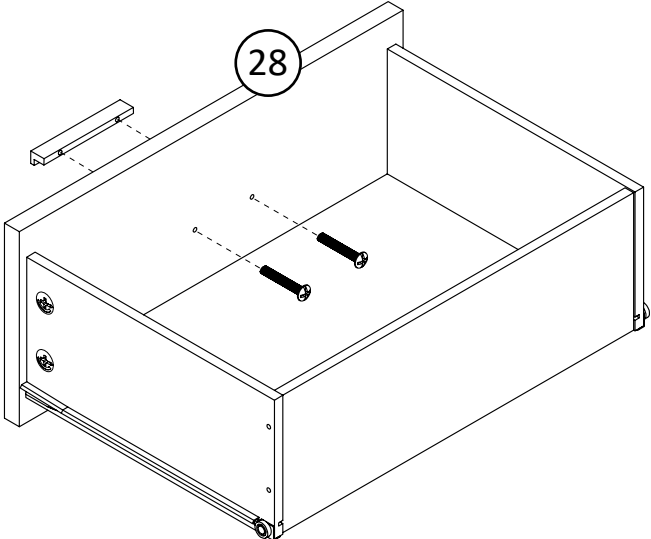
* raw edges are shaded

Step 30



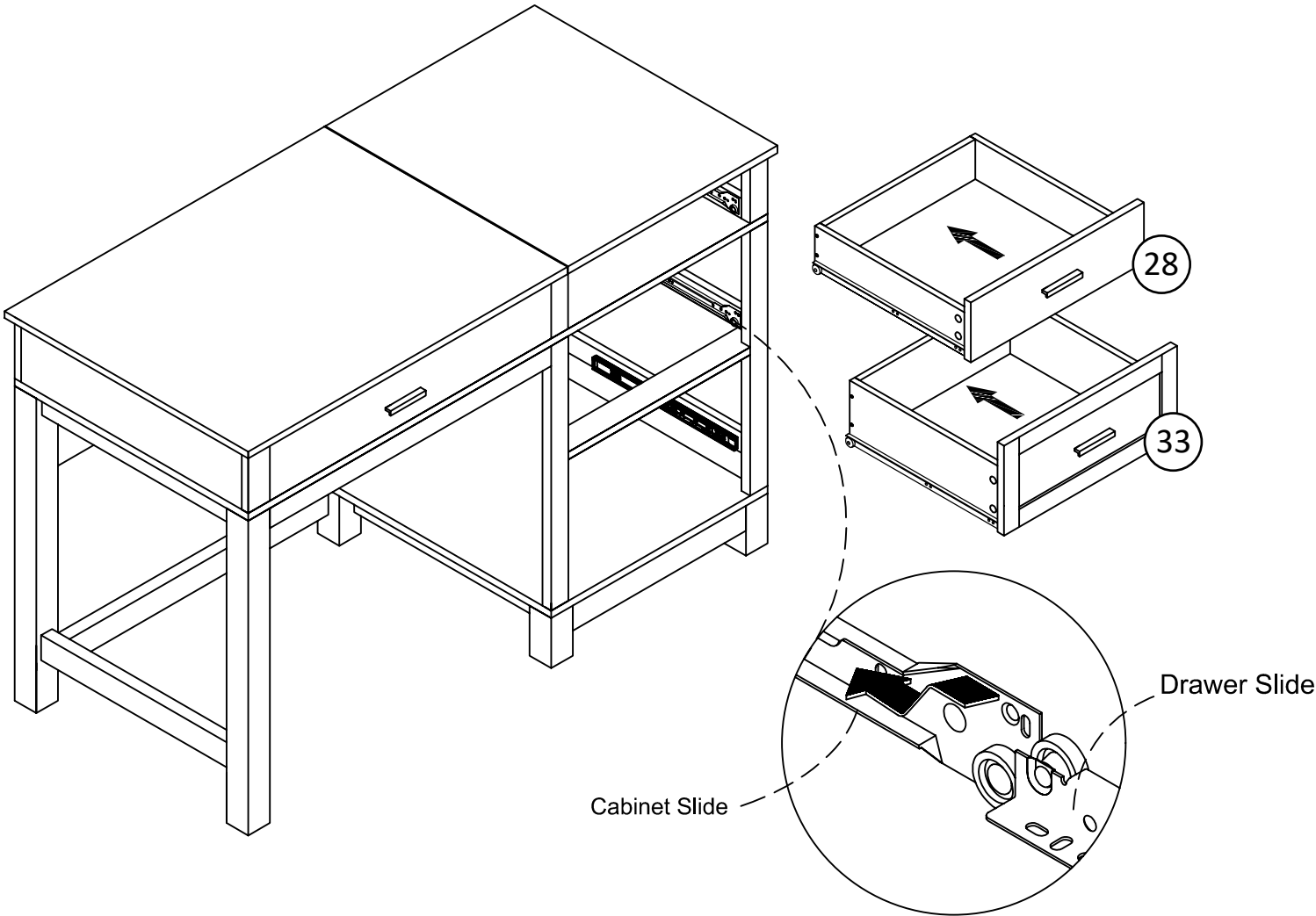
x3
TUD0012

x6
TUD0011



* raw edges are shaded

Step 31



* raw edges are shaded

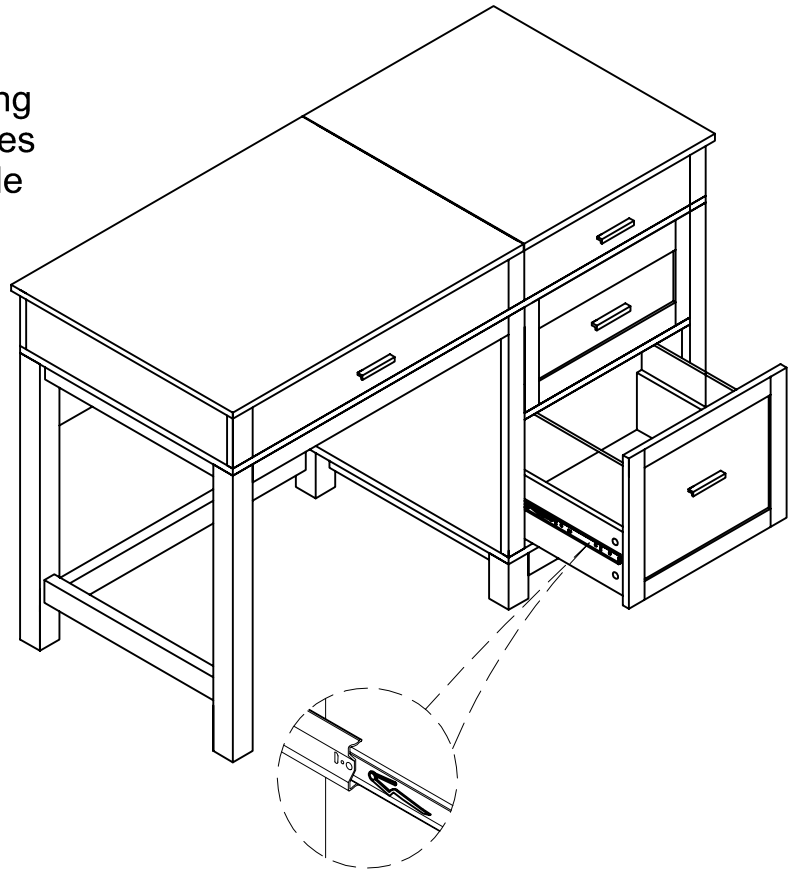
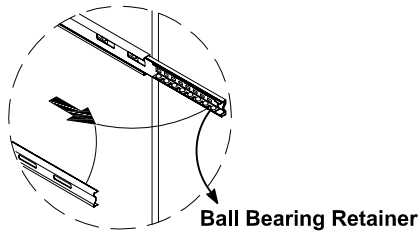
Step 32

NOTE: This step is just for insert or remove lower drawer if needed.

To Insert Drawer Into Cabinet

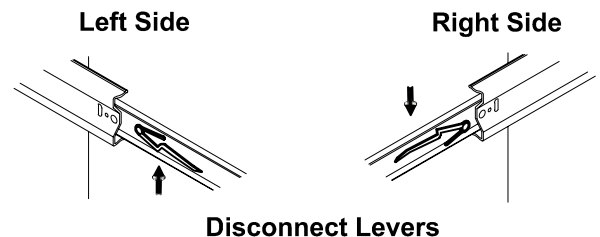
- 1) Position anti tip mechanism, as shown.
- 2) Bring ball bearing retainer fully forward, as shown.
- 3) With help of another person, carefully align and insert drawer slide into cabinet slide, guiding the drawer slide between the ball bearing retainer, as shown.
- 4) Push the drawer into cabinet. You may experience a light resistance when pushing the drawer into cabinet but once both slides are properly engaged, drawer should slide in and out smoothly.

NOTE: Do not use excessive force to insert drawer as this may cause the damage to slides.



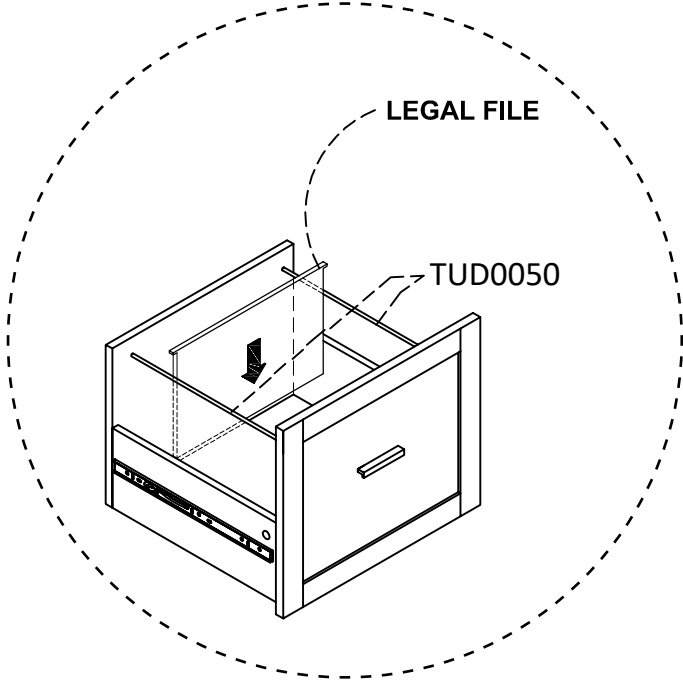
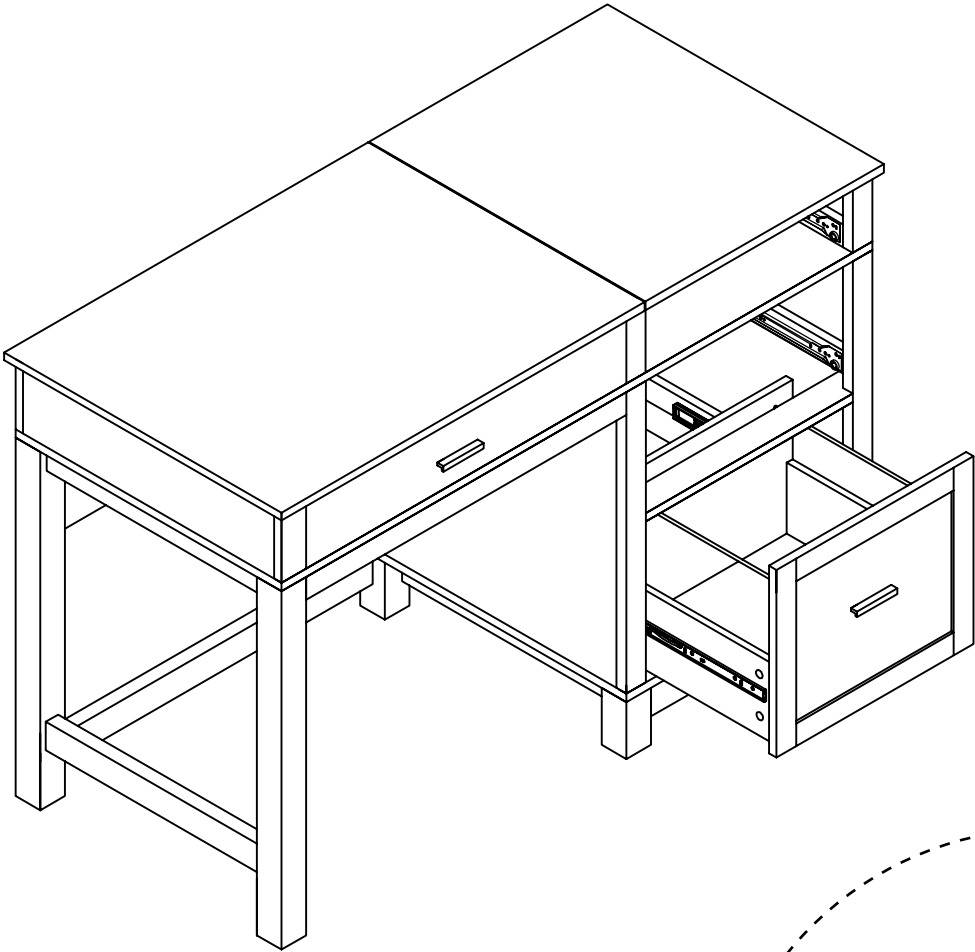
To Remove Drawer, If Needed

- Pull the drawer fully open so levers are visible.
- Push UP on left side lever and DOWN on right side lever.
- Holding levers in place, pull drawer toward you.



* raw edges are shaded

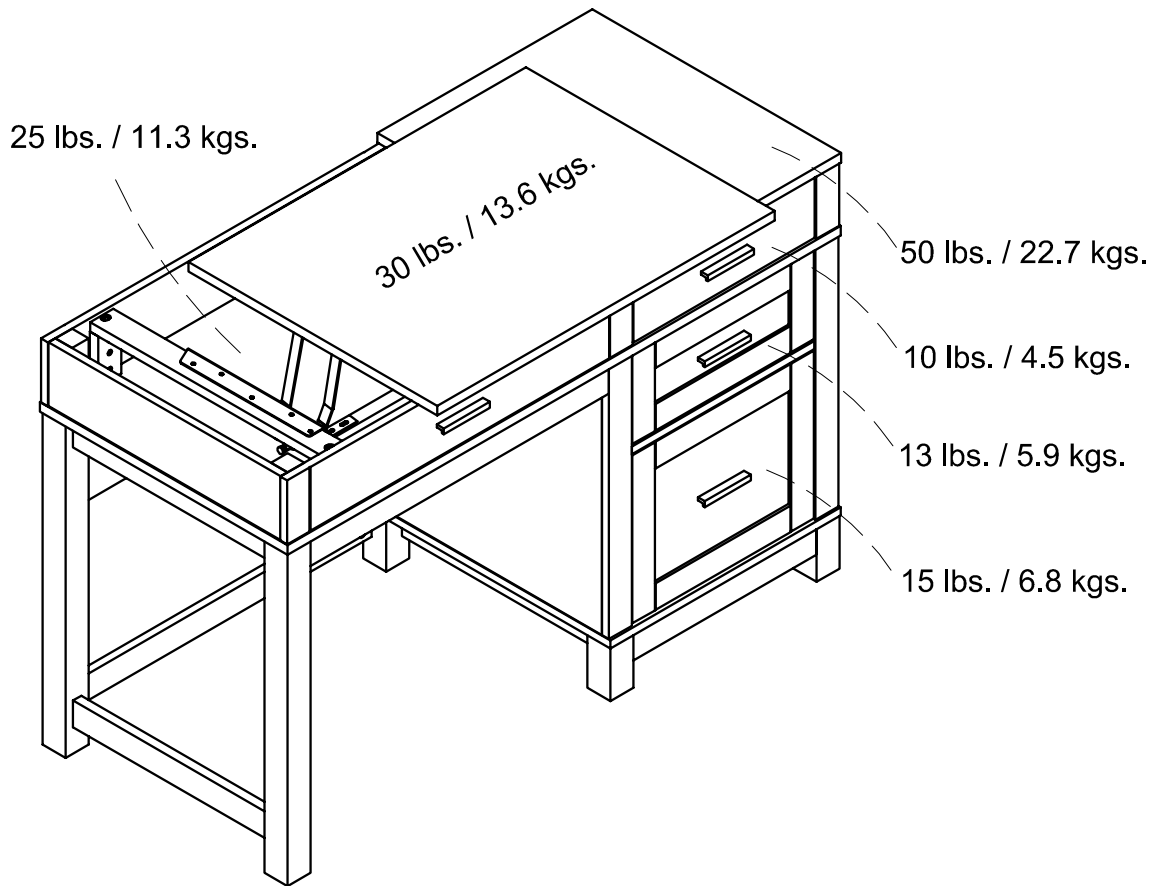
Step 33



* raw edges are shaded

Maximum Loads

This unit has been designed to support the maximum loads shown. Exceeding these load limits could cause sagging, instability, product collapse, and/or serious injury.



Enjoy your furniture.

Warning: Please make sure that all the objects are removed before moving the assembled unit. The unit must be lifted by more than one person, not dragged or pushed. Failure to do so will cause product damage, instability, product collapse, and/or serious injury.
